




BENSON CONTROL PANELS VARIANTE VR INTERCONNECTS.



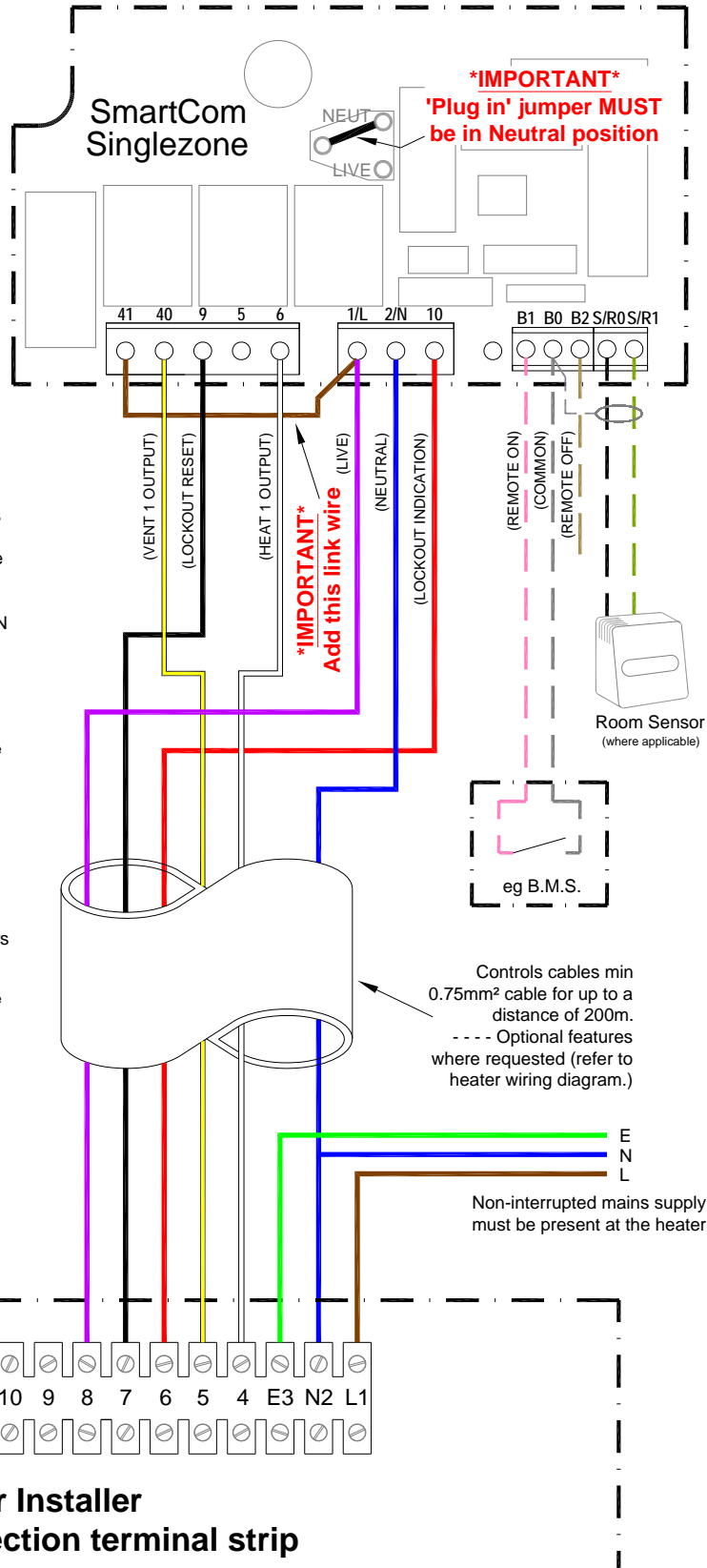
Warnings

All external wiring **MUST** comply with the current IEE wiring regulations. These instruction **MUST** be used in conjunction with the SmartCom user manual and the appropriate heater manual.

INDEX

Diagram Number(s)			
Heater/Controller type	SC3 	CP4 	CP2 
Single Stage (On/Off) 1 phase supply	1	2	3
Single Stage (On/Off) 3 phase supply	4	5	6
Two Stage (Hi/Low) 1 phase supply	7	8	9
Two Stage (Hi/Low) 3 phase supply	10	11	12
Modulation 1 phase supply	13	14	-
Modulation 3 phase supply	15	16	-

1 Single Stage (On/Off) Heaters with Auto Ignition, 1Ph to remote SmartCom³ SZ.



NOTES:

REMOTE SWITCH INPUTS

should be connected by 6A mains
Max length is 100m.
Low voltage switching inputs to be normally open (closed circuit to enable).
Connect to B0 & B1 for remote ON (ie BMS time control).
Connect to B0 & B2 for remote OFF (ie door interlock, remote frost etc).
*The power supply is non-isolated, therefore all wiring to the control must be mains rated.

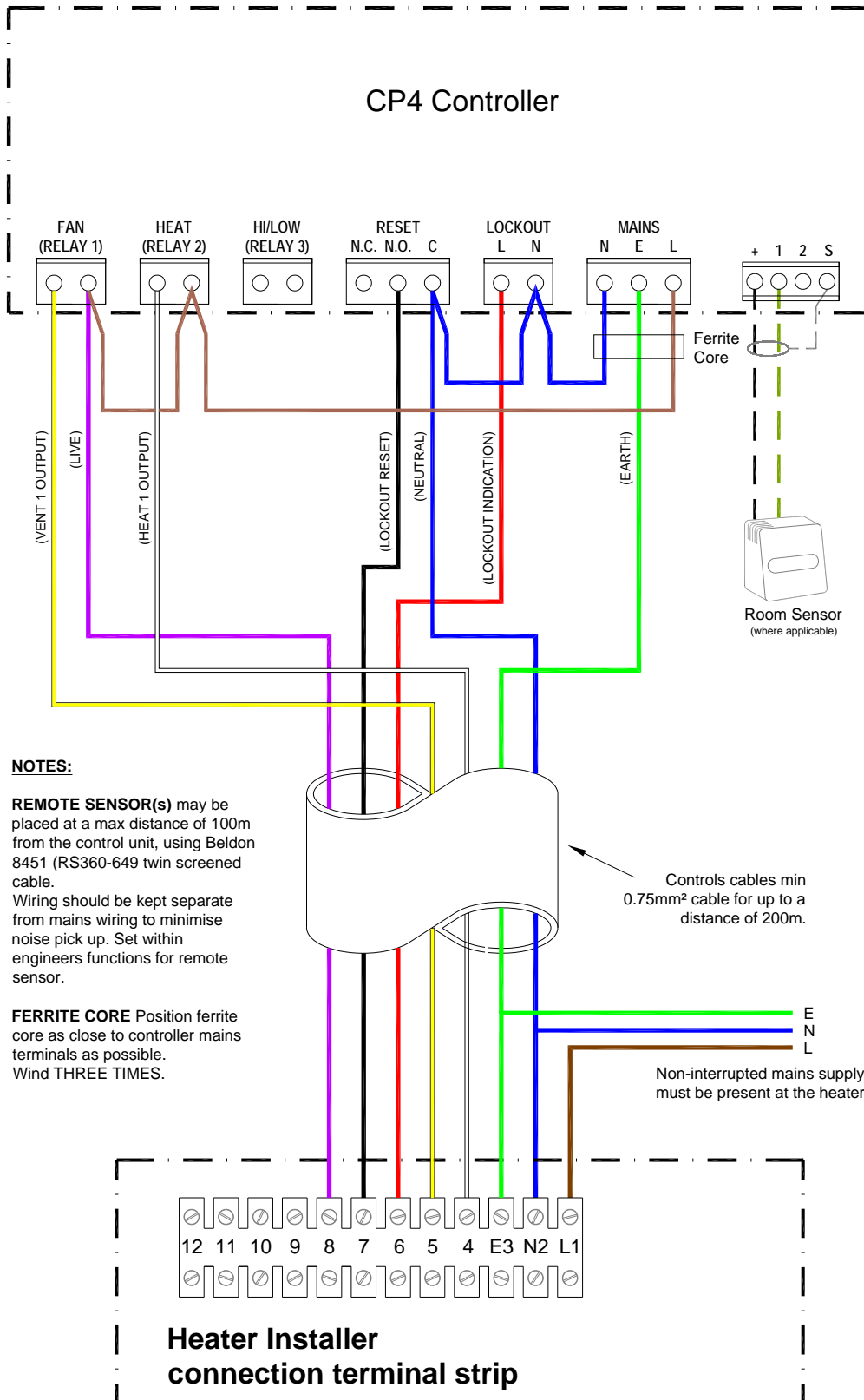
REMOTE SENSOR(s) may be placed at a max distance of 100m from the control unit, using screened 6A mains* cable. Wiring should be kept separate from mains wiring to minimise noise pick up. Set within Engineers functions for remote sensor.
*The power supply is non-isolated, therefore all wiring to the control must be mains rated.

Controls cables min 0.75mm² cable for up to a distance of 200m.
--- Optional features where requested (refer to heater wiring diagram.)

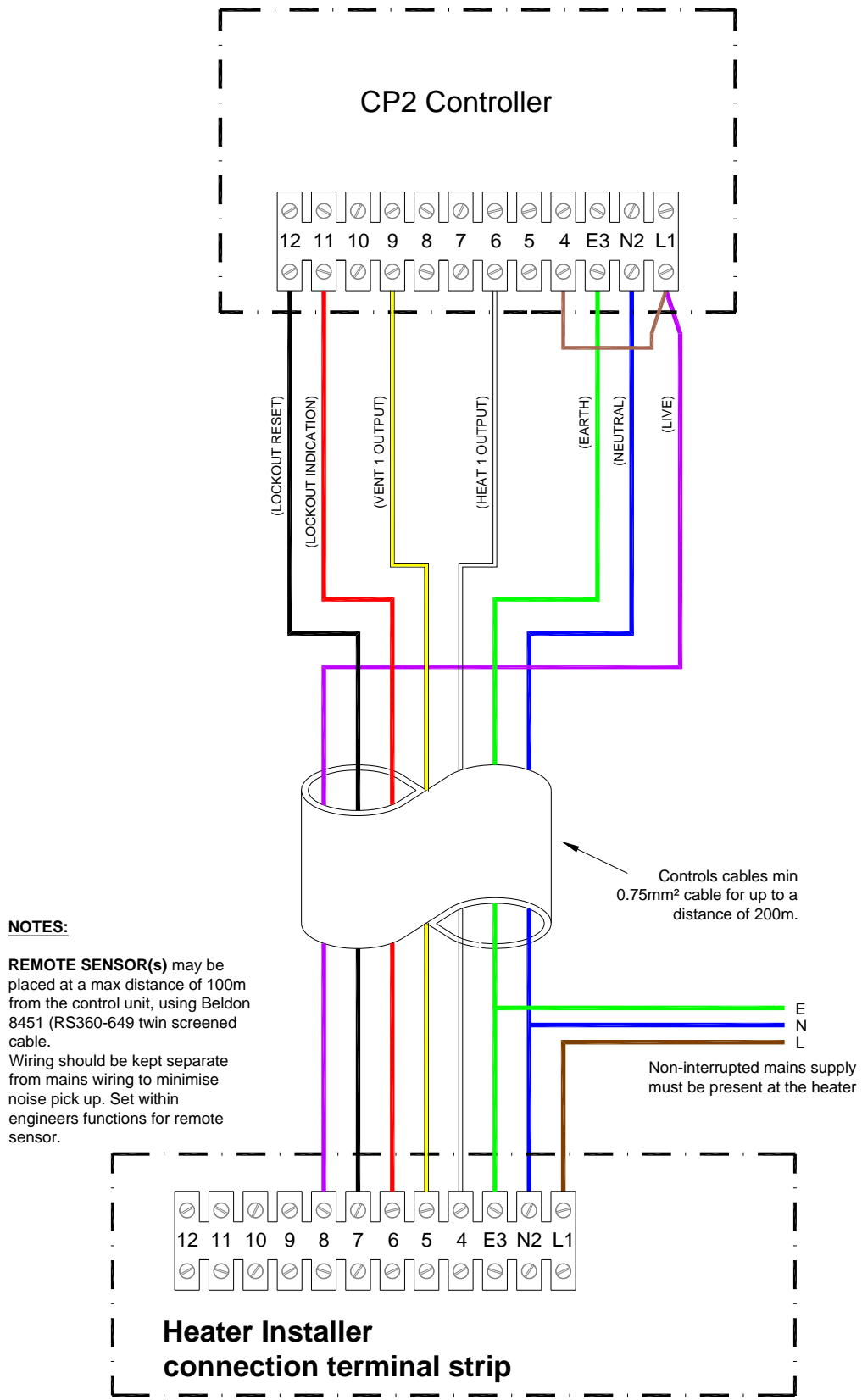
Non-interrupted mains supply must be present at the heater

Heater Installer connection terminal strip

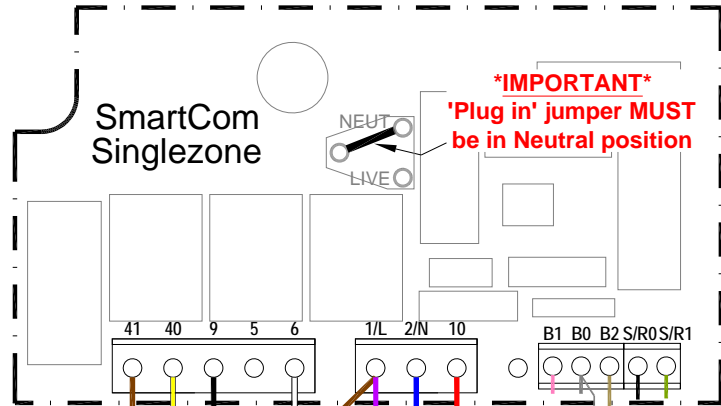
2 Single Stage (On/Off) Heaters with Auto Ignition, 1Ph to remote CP4 controller.



3 Single Stage (On/Off) Heaters with Auto Ignition, 1Ph to remote CP2 controller.



4 Single Stage (On/Off) Heaters with Auto Ignition, 3Ph to remote SmartCom³ SZ.



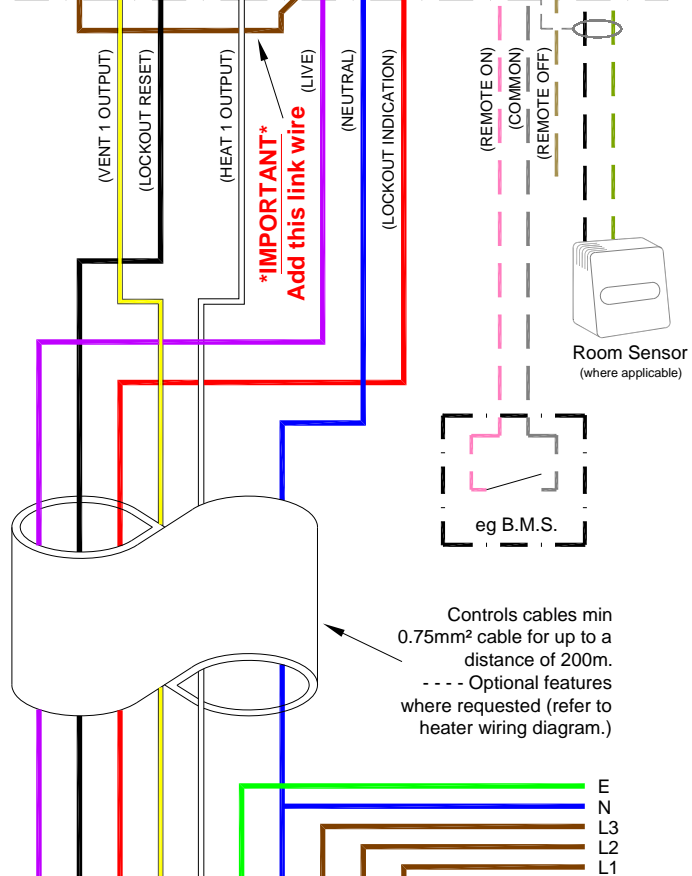
NOTES:

REMOTE SWITCH INPUTS

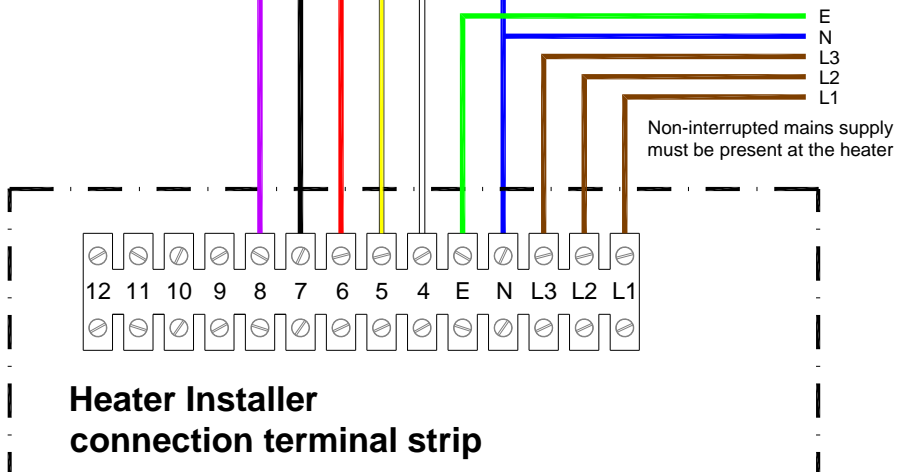
should be connected by 6A mains
Max length is 100m.
Low voltage switching inputs to be normally open (closed circuit to enable).
Connect to B0 & B1 for remote ON (ie BMS time control).
Connect to B0 & B2 for remote OFF (ie door interlock. remote frost etc).
*The power supply is non-isolated, therefore all wiring to the control must be mains rated.

REMOTE SENSOR(s) may be placed at a max distance of 100m from the control unit, using screened 6A mains* cable.
Wiring should be kept separate from mains wiring to minimise noise pick up. Set within Engineers functions for remote sensor.

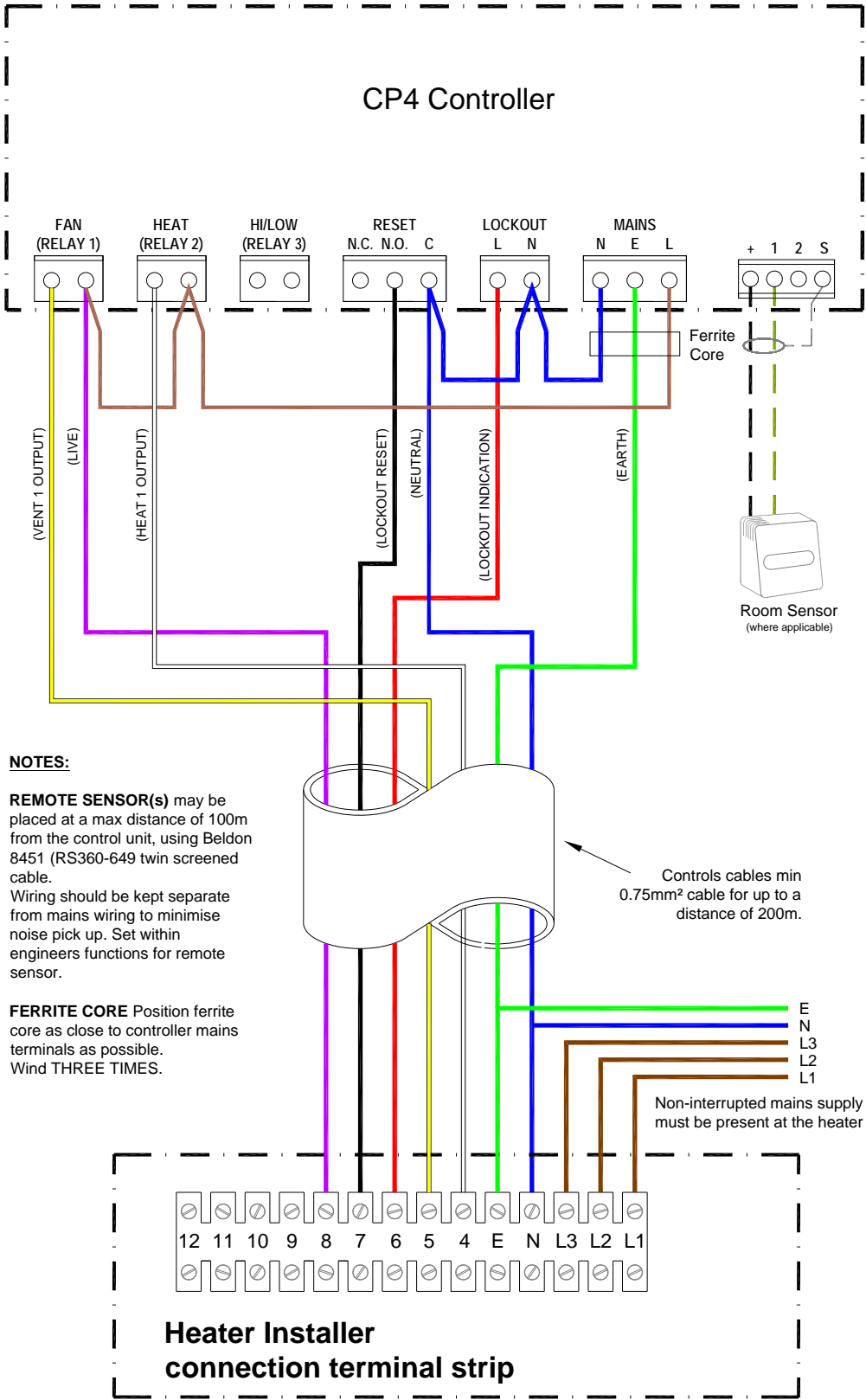
*The power supply is non-isolated, therefore all wiring to the control must be mains rated.



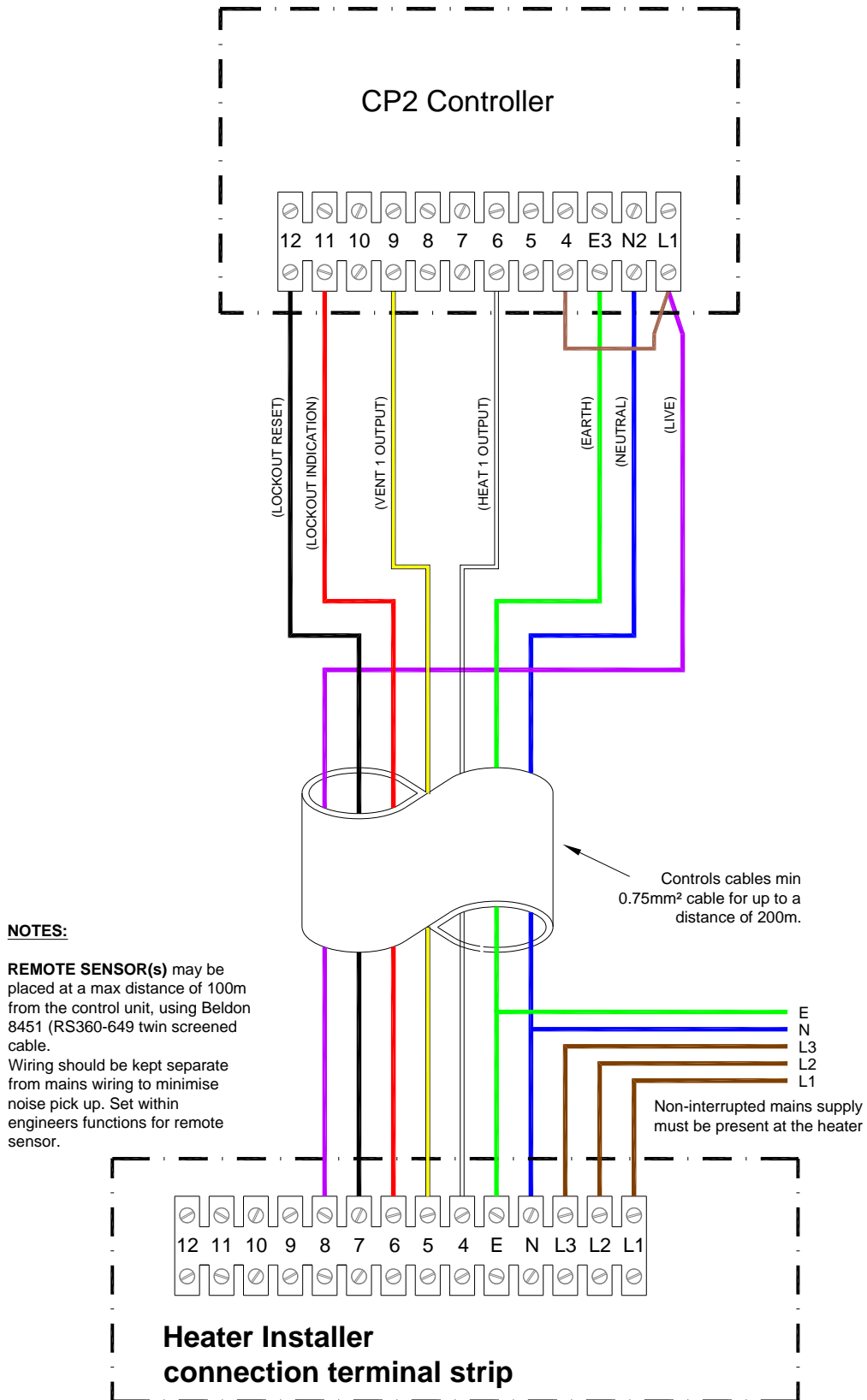
Controls cables min 0.75mm² cable for up to a distance of 200m.
- - - Optional features where requested (refer to heater wiring diagram.)



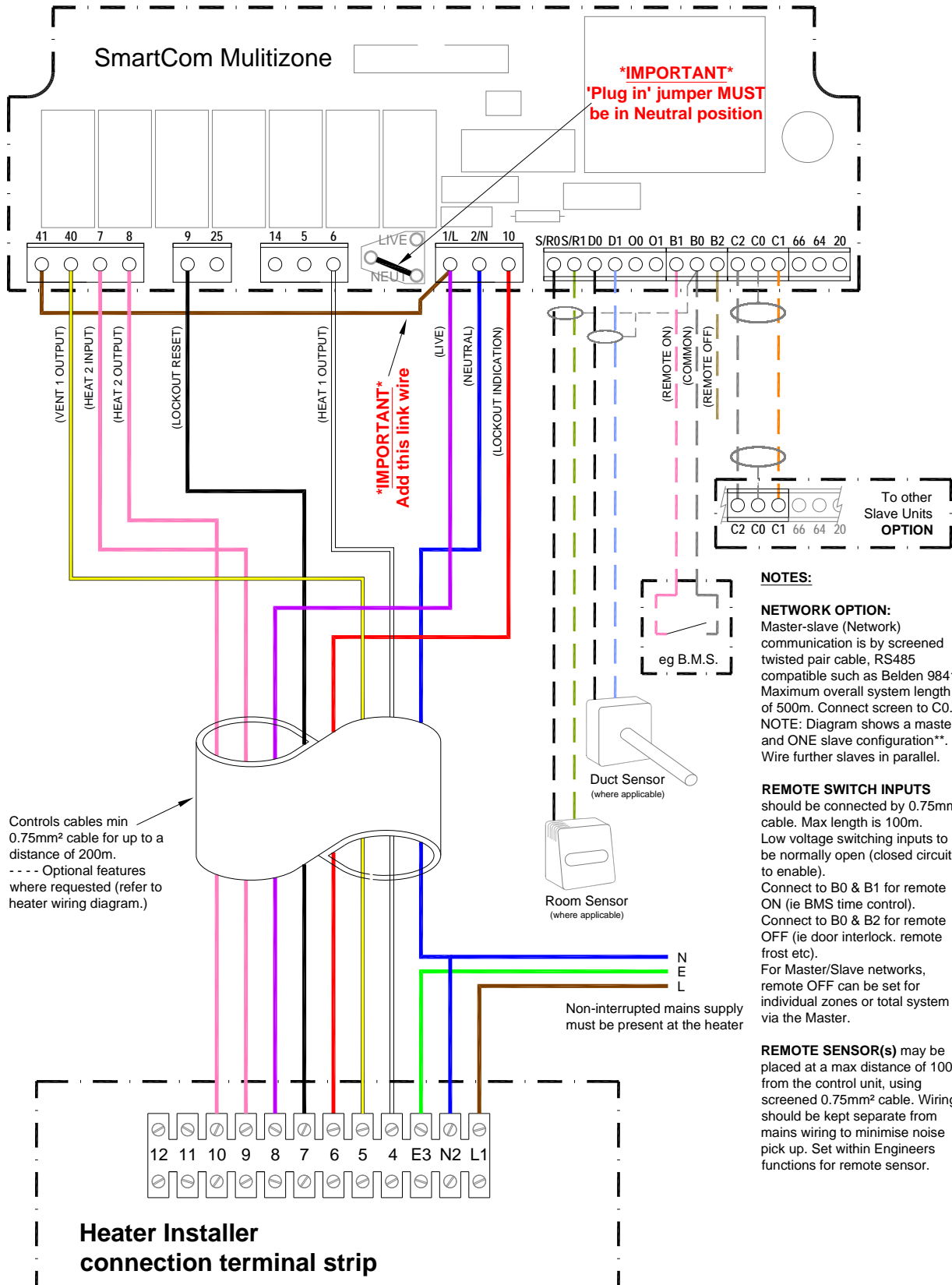
5 Single Stage (On/Off) Heaters with Auto Ignition, 3Ph to remote CP4 controller.



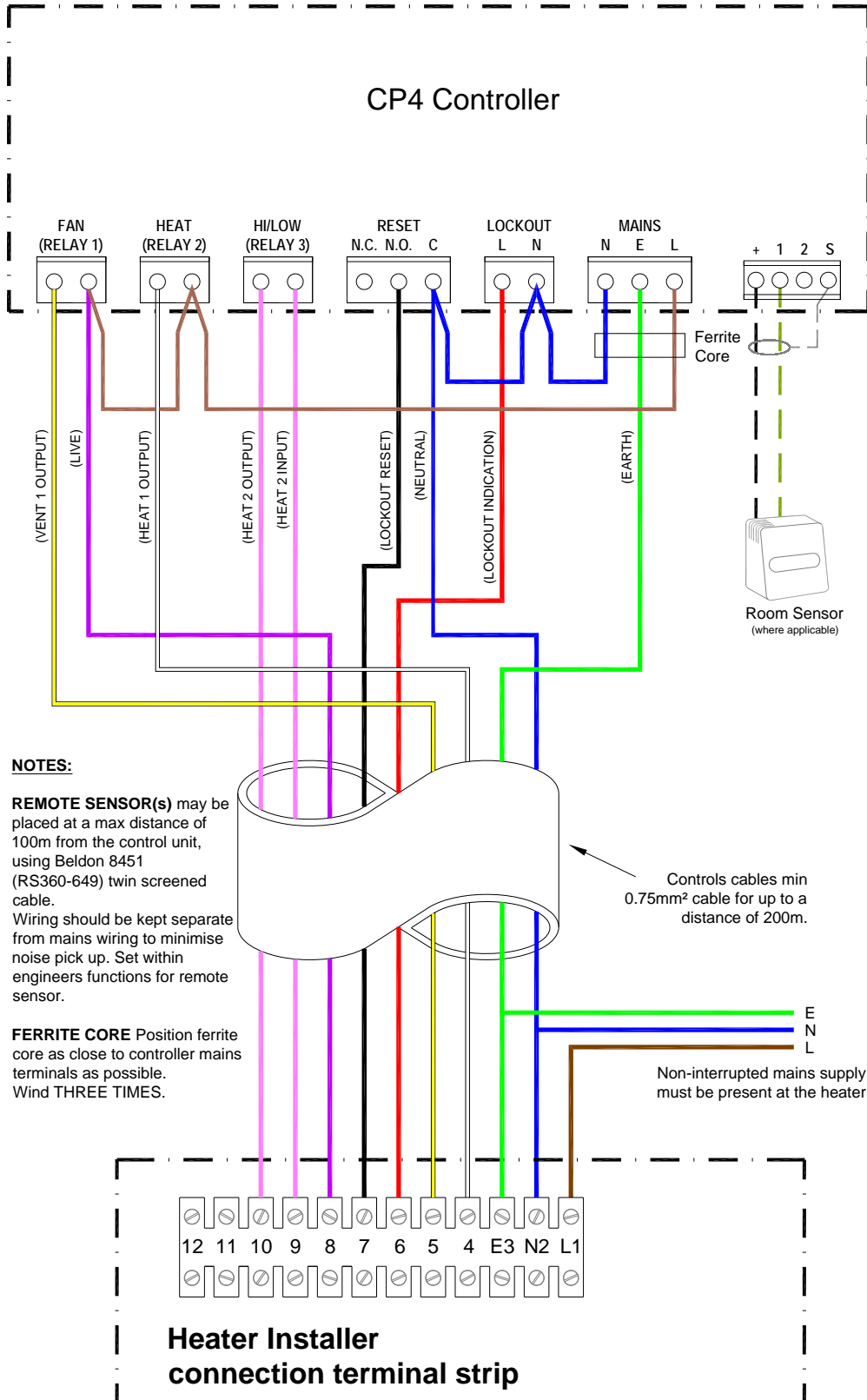
6 Single Stage (On/Off) Heaters with Auto Ignition, 3Ph to remote CP2 controller.



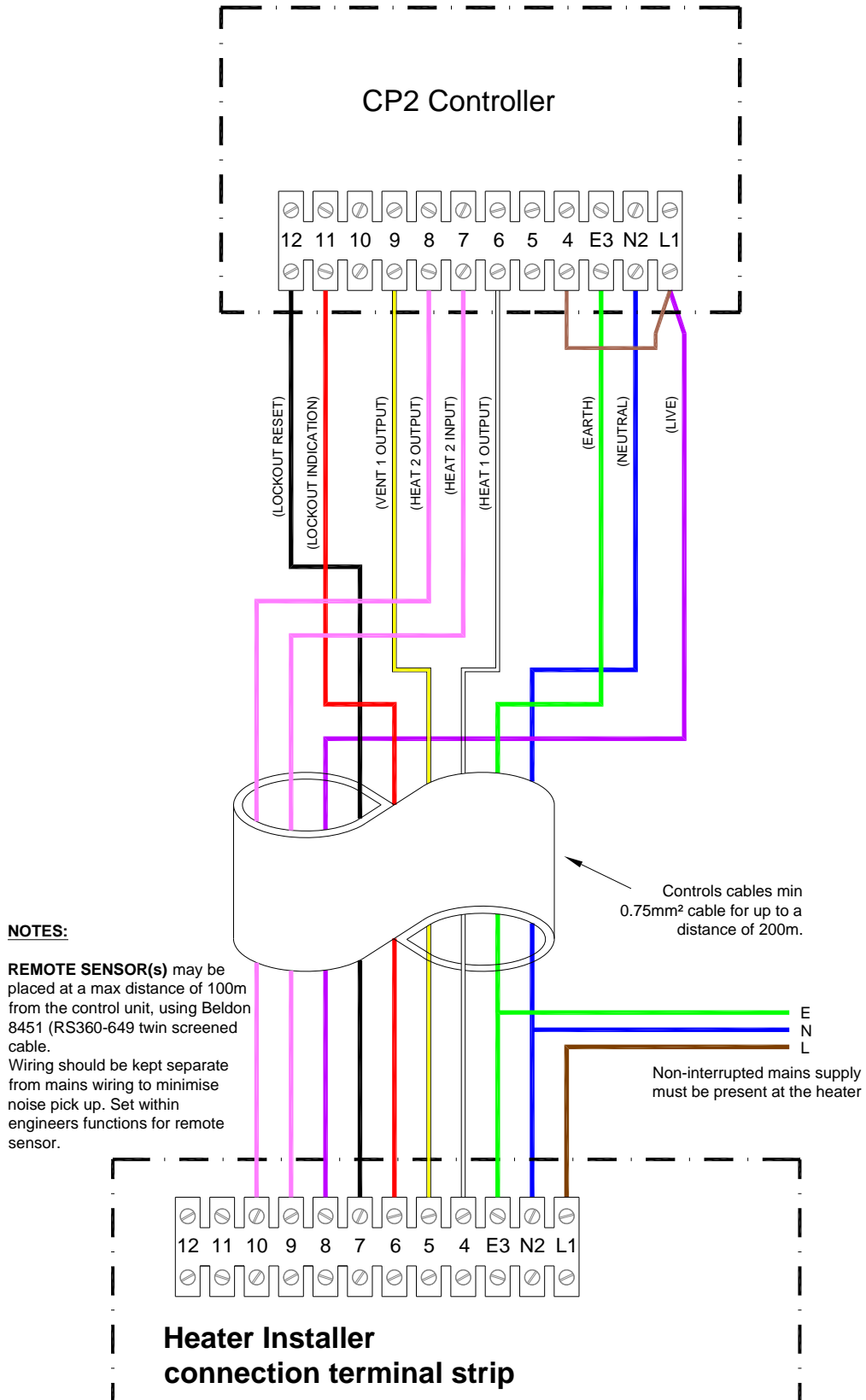
7 Two Stage (Hi/Low) Heaters with Auto Ignition, 1Ph to remote SmartCom³ MZ.



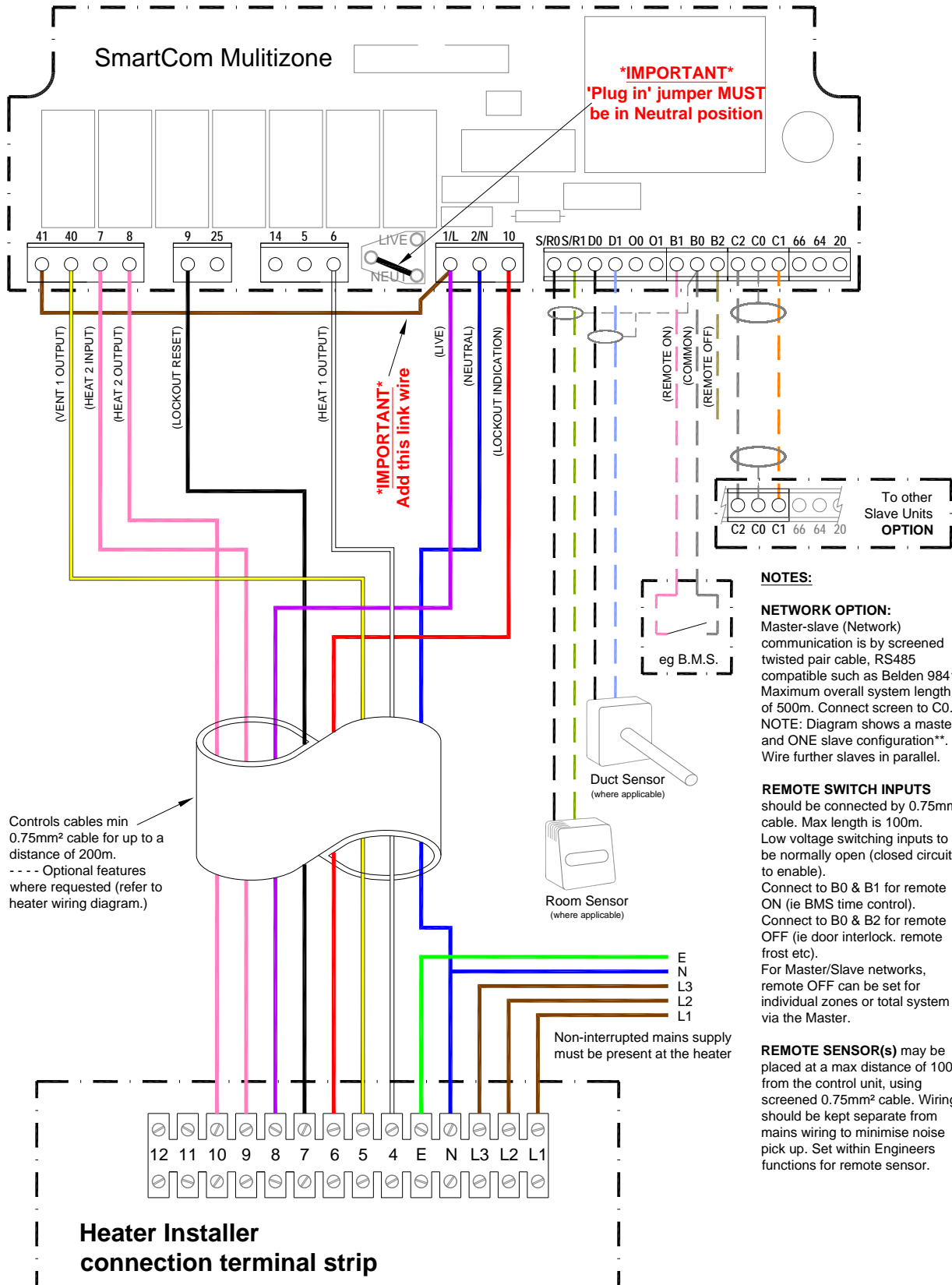
8 Two Stage (Hi/Low) Heaters with Auto Ignition, 1Ph to remote CP4 controller.



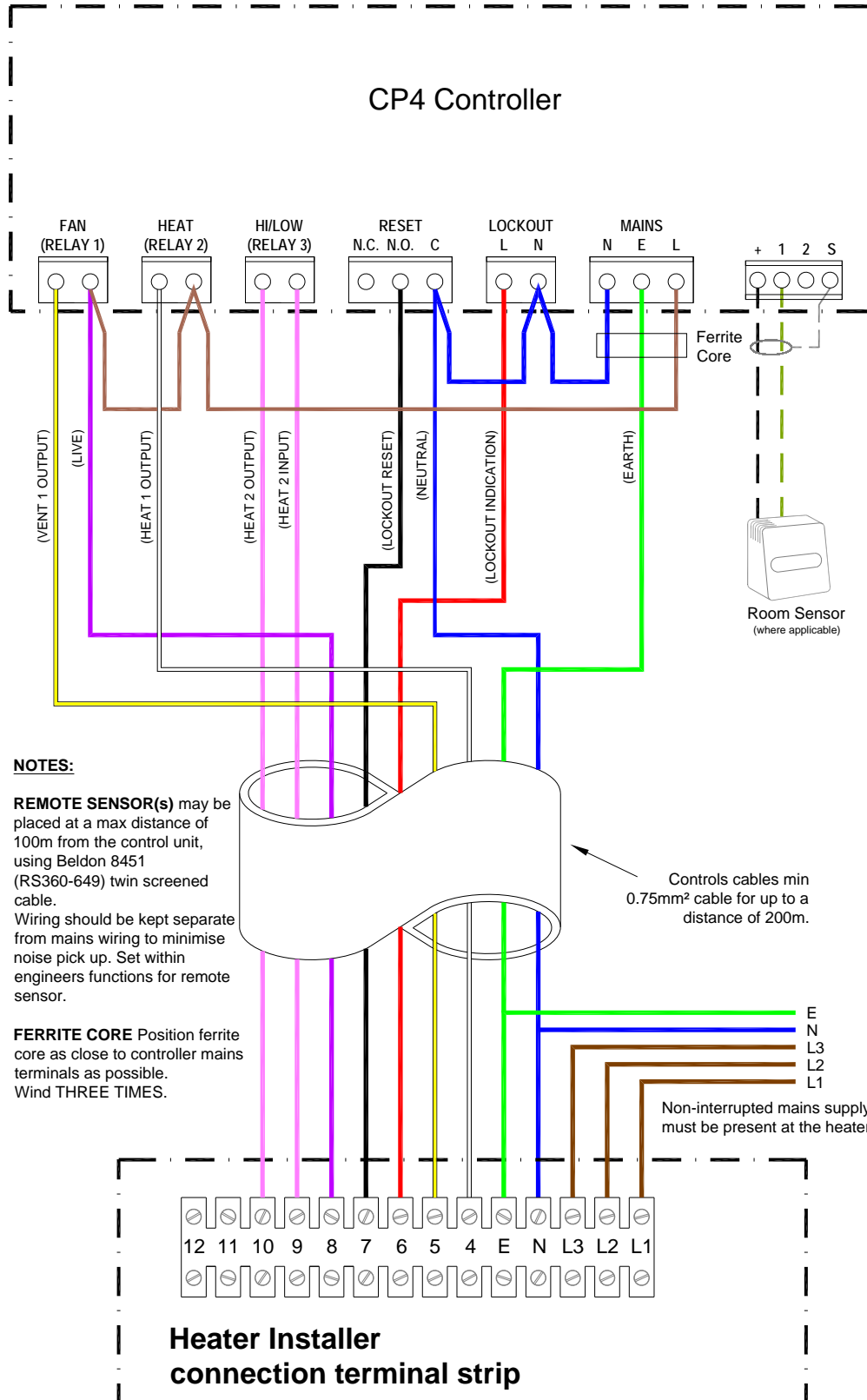
9 Two Stage (Hi/Low) Heaters with Auto Ignition, 1Ph to remote CP2 controller.



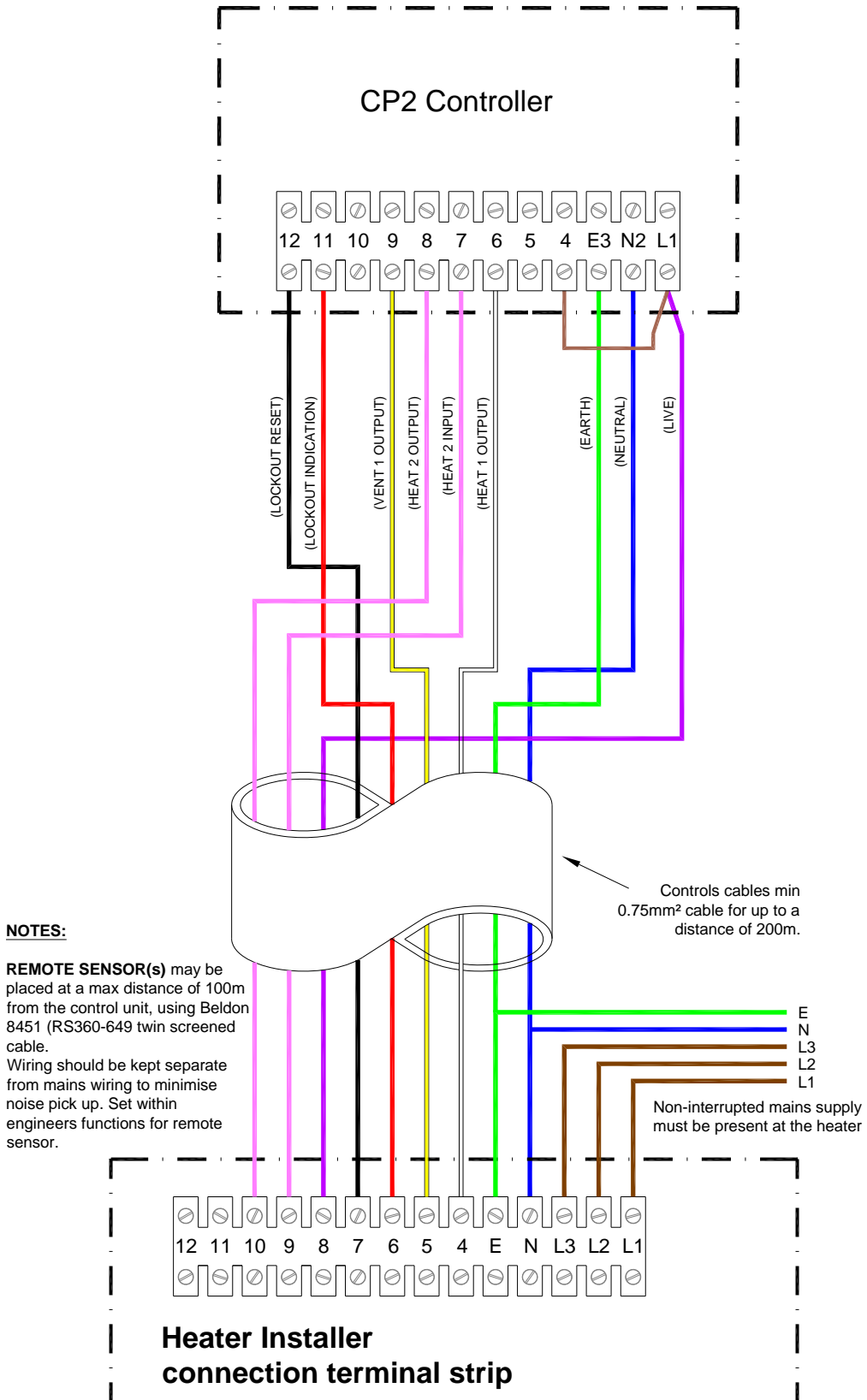
10 Two Stage (Hi/Low) Heaters with Auto Ignition, 3Ph to remote SmartCom³ MZ.



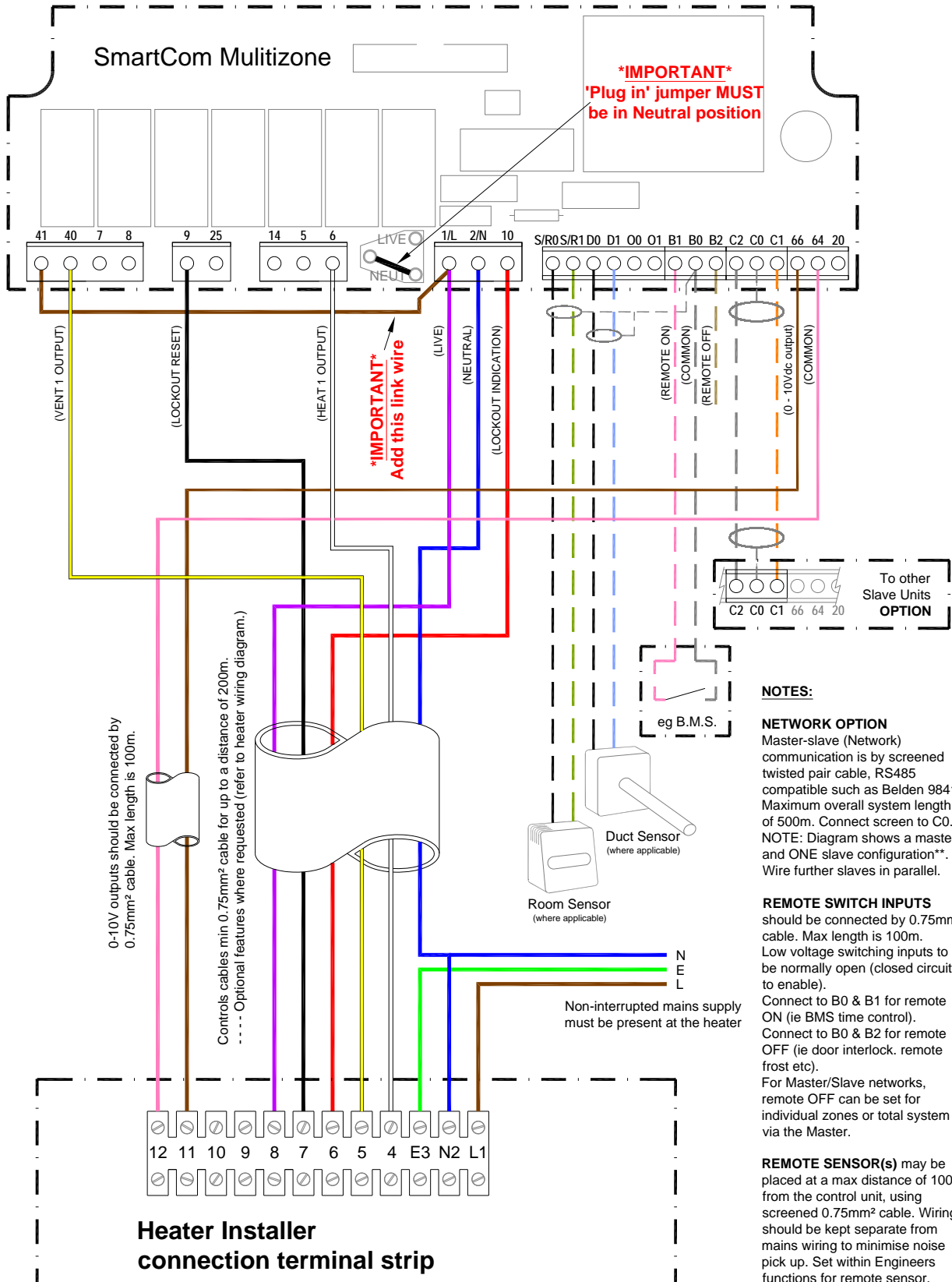
11 Two Stage (Hi/Low) Heaters with Auto Ignition, 3Ph to remote CP4 controller.



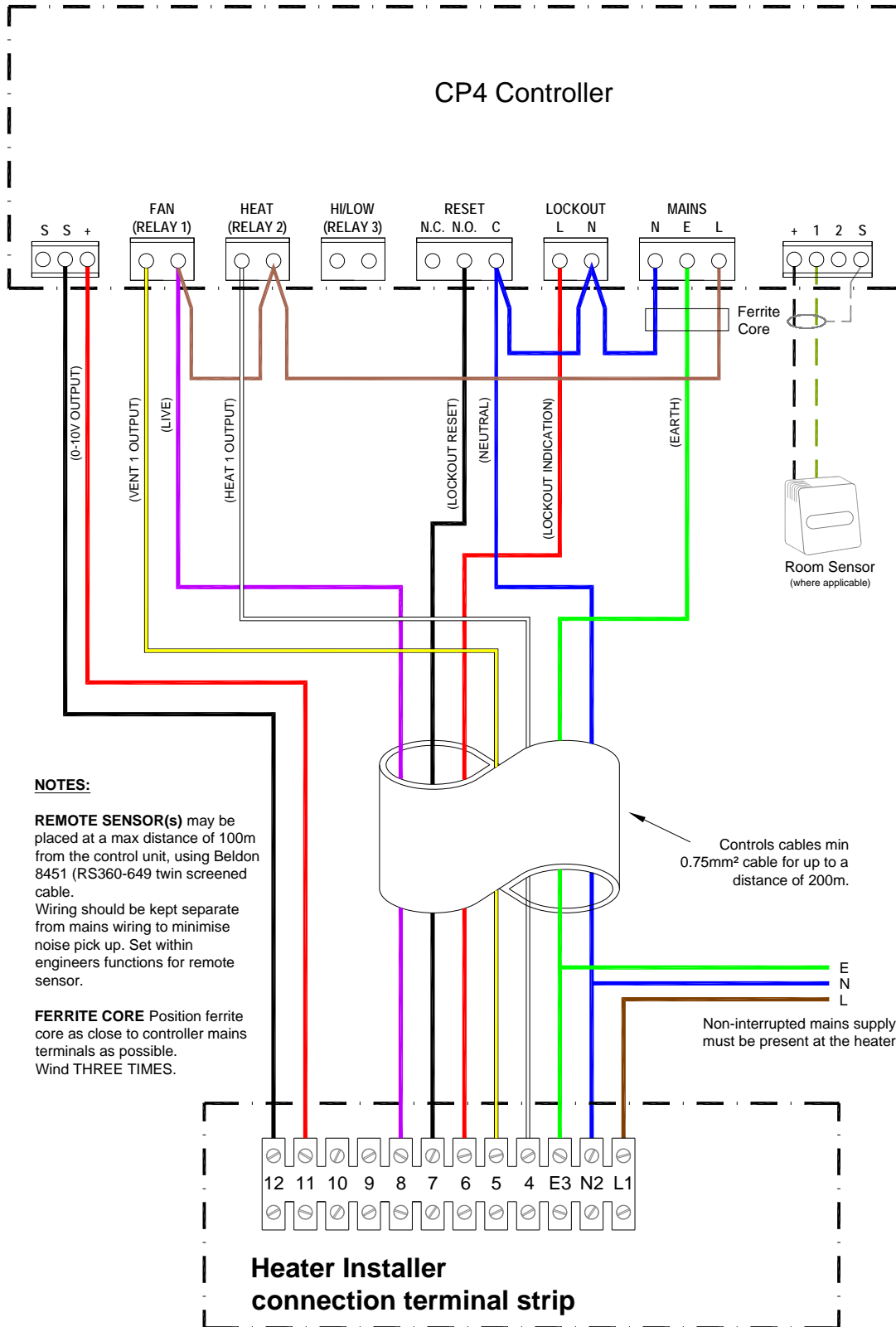
12 Two Stage (Hi/Low) Heaters with Auto Ignition, 3Ph to remote CP2 controller.



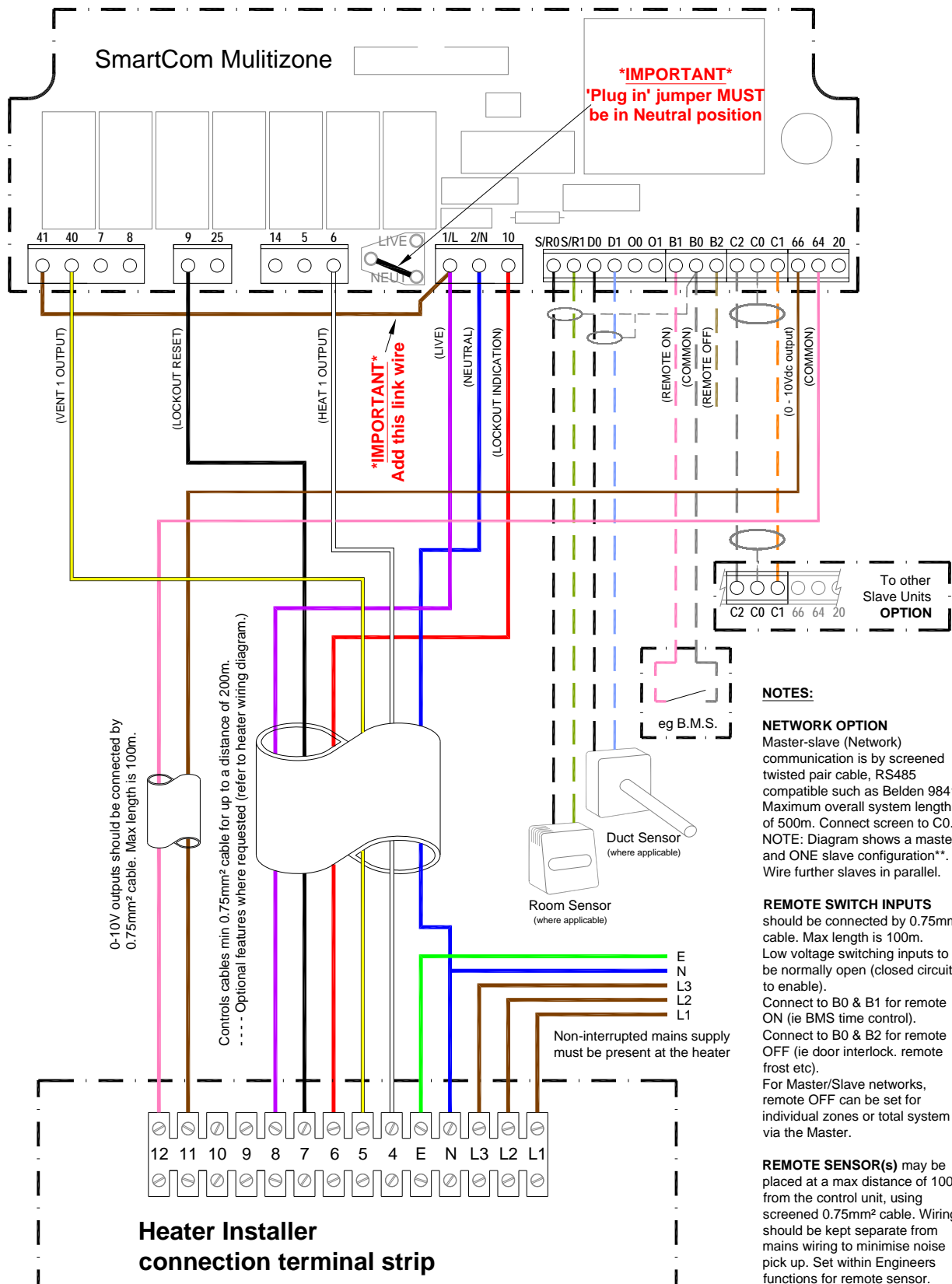
13 Modulation Heaters with Auto Ignition, 1Ph to remote SmartCom³ MZ.



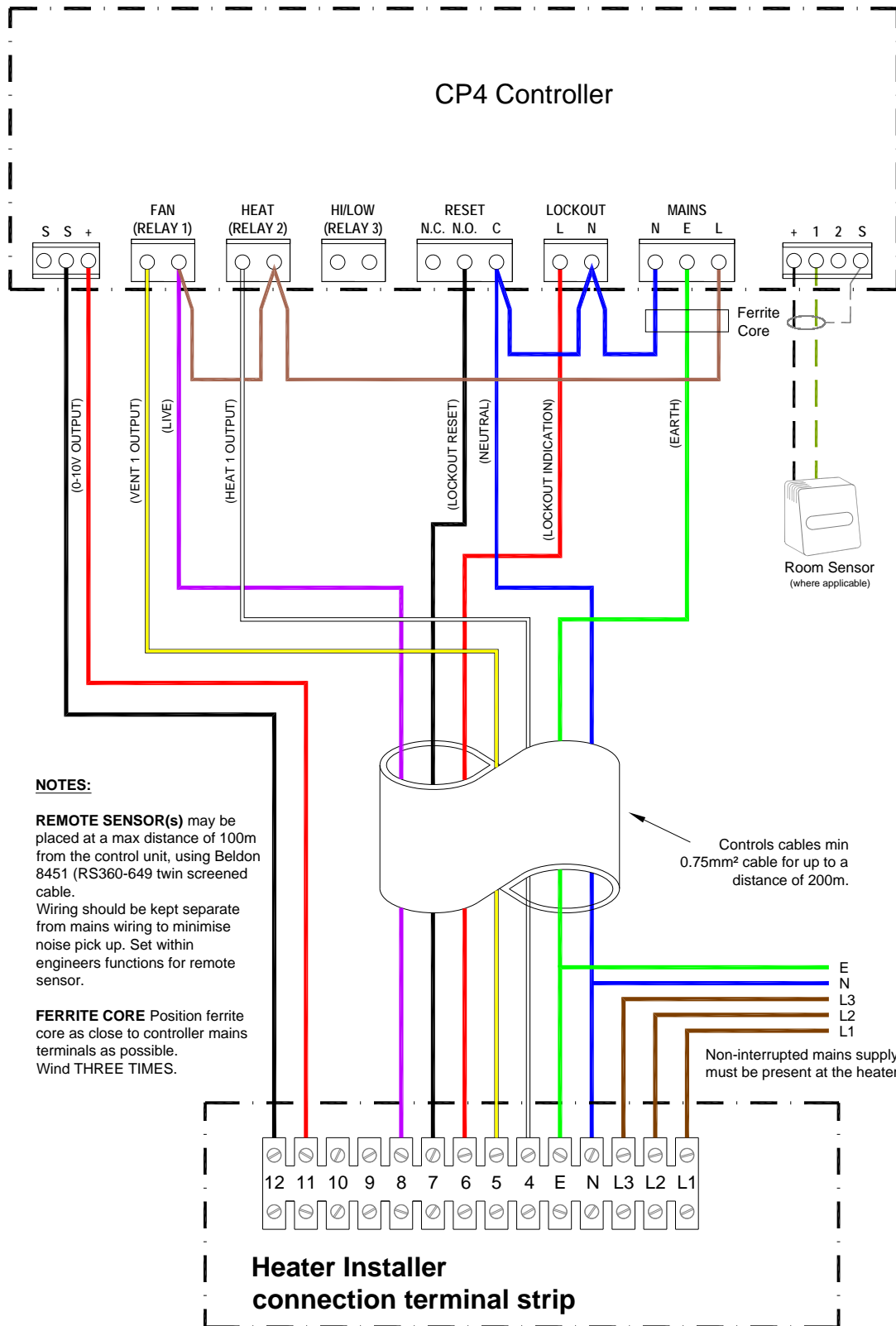
14 Modulation Heaters with Auto Ignition, 1Ph to remote CP4 controller.



15 Modulation Heaters with Auto Ignition, 3Ph to remote SmartCom³ MZ.



16 Modulation Heaters with Auto Ignition, 3Ph to remote CP4 controller.



NOTES:



Benson Heating Ludlow Road Knighton
Powys LD7 1LP United Kingdom.

Telephone 01547 528534
Facsimile 01547 520399
Email sales@bensonheating.co.uk
Website www.bensonheating.co.uk

