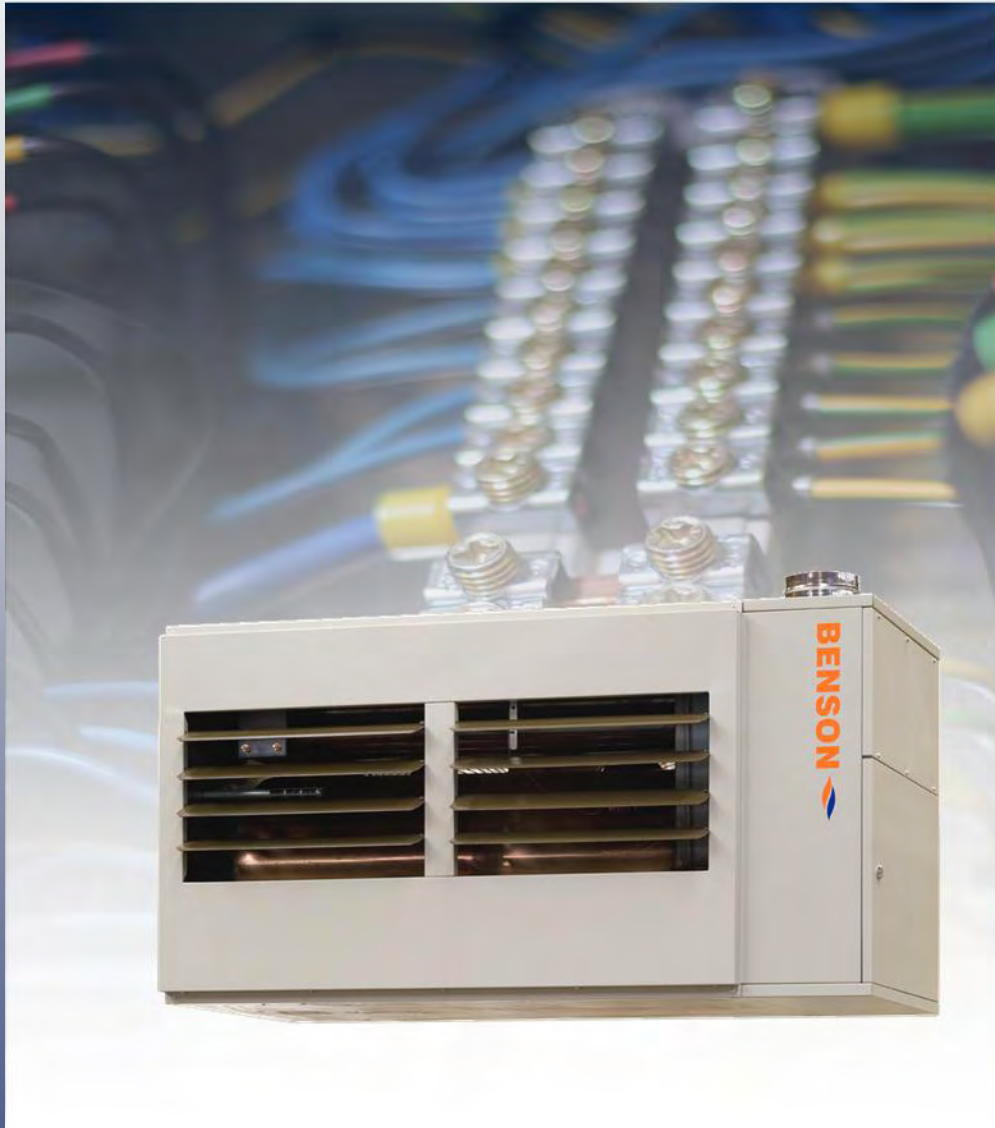

Technical Support:

Tel: 01384 489250

Email: ambiradtechnical@nordyne.com

BENSON

WIRING DIAGRAM MANUAL FOR BENSON OUH OIL FIRED HEATER



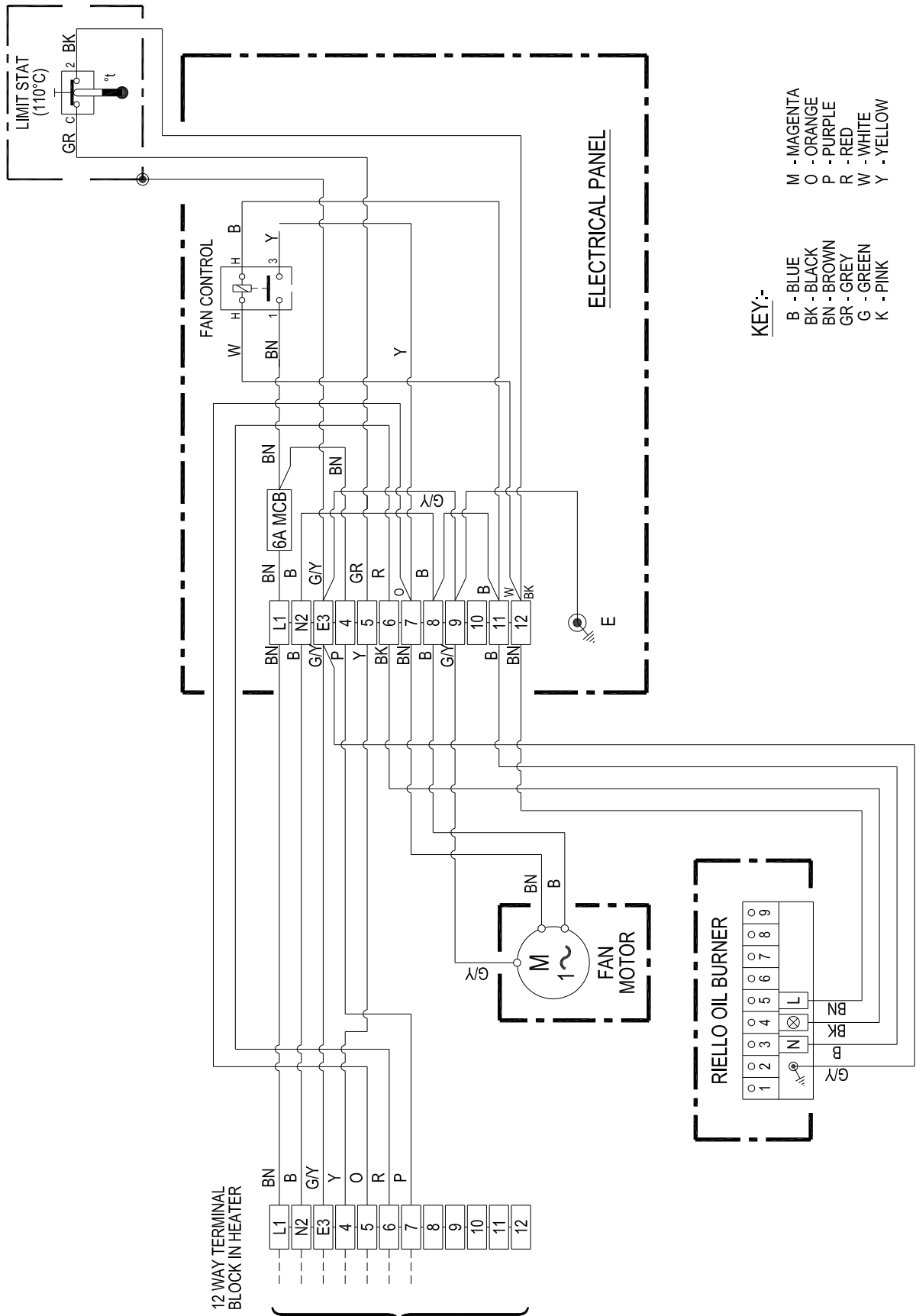
WARNINGS

Installation of Benson Equipment must be carried out in accordance with the current IEE wiring regulations (BS 7671), BS 6896 (Industrial & Commercial) and any other relevant British Standards and Codes of Practice by a qualified installer. All external wiring MUST comply with the current IEE wiring regulations.

Wiring Diagrams - OUH Oil Fired Unit Heaters

Internal Wiring Diagram 33-65-245

OUHA/OUHC 30-40 ON/OFF Riello Oil Fired Burner

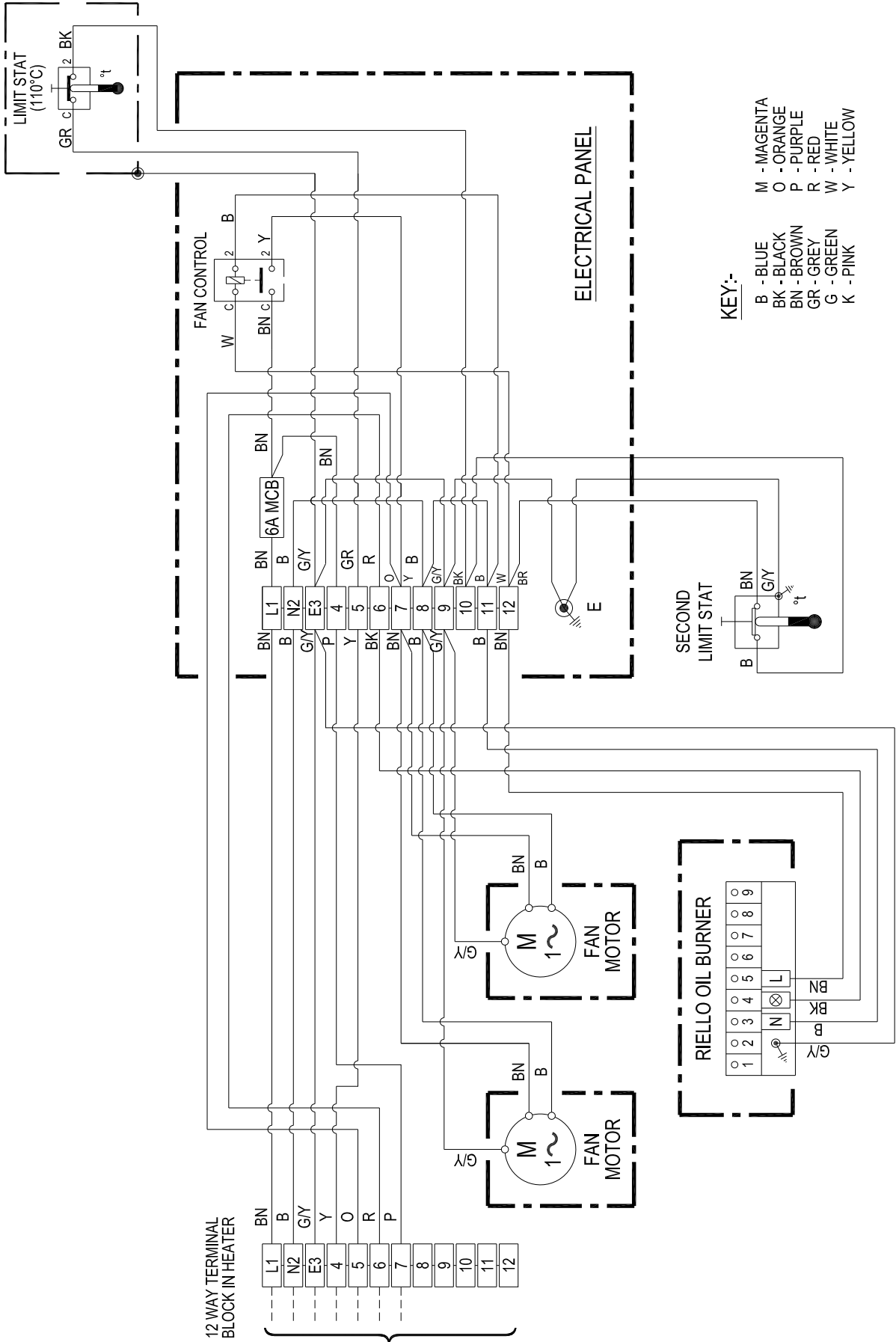


KEY:-

- B - BLUE
- BK - BLACK
- BN - BROWN
- GR - GREY
- G - GREEN
- K - PINK
- M - MAGENTA
- O - ORANGE
- P - PURPLE
- R - RED
- W - WHITE
- Y - YELLOW

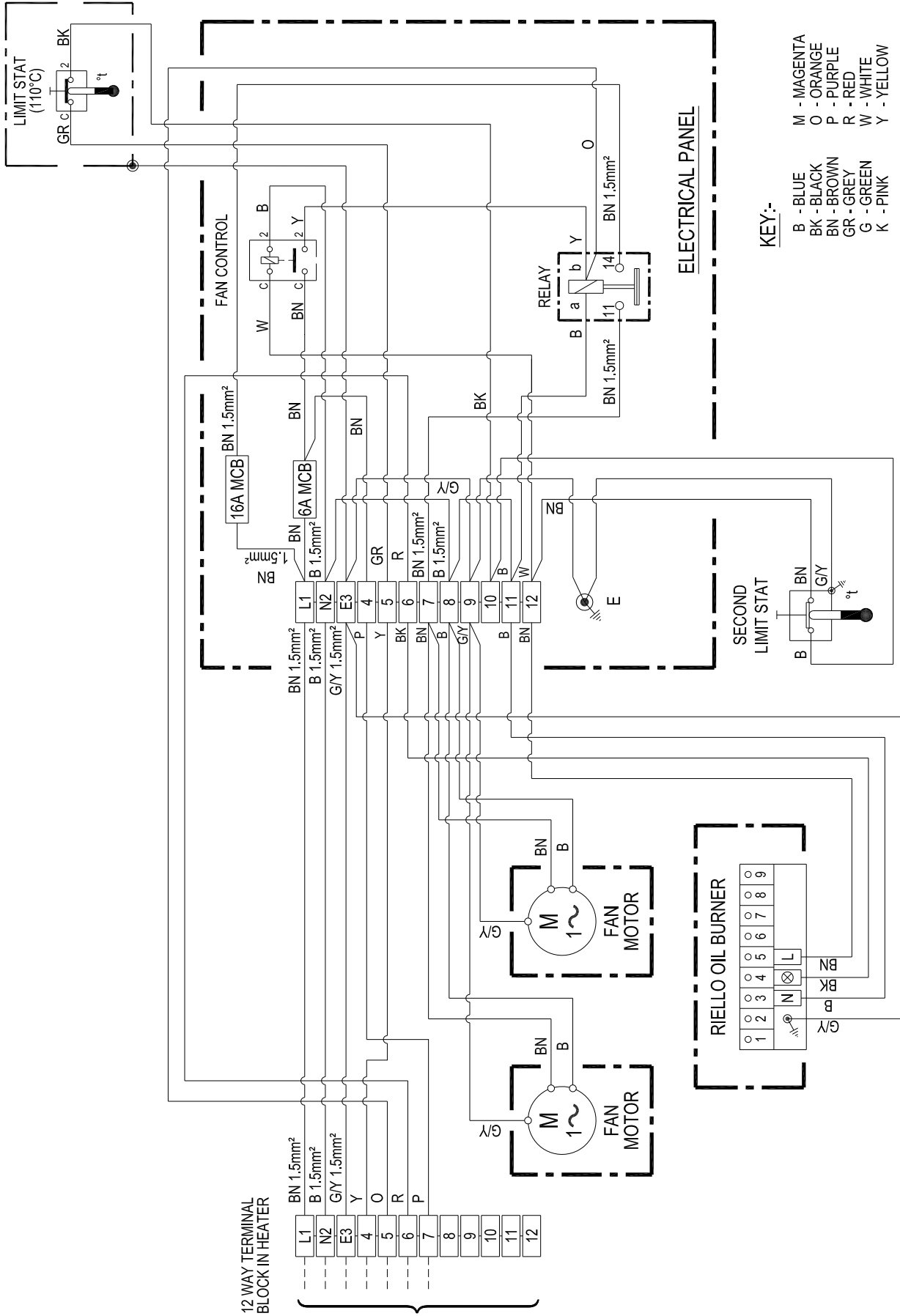
Internal Wiring Diagram 33-65-246

Ouha 60-100 ON/OFF Riello Oil Fired Burner



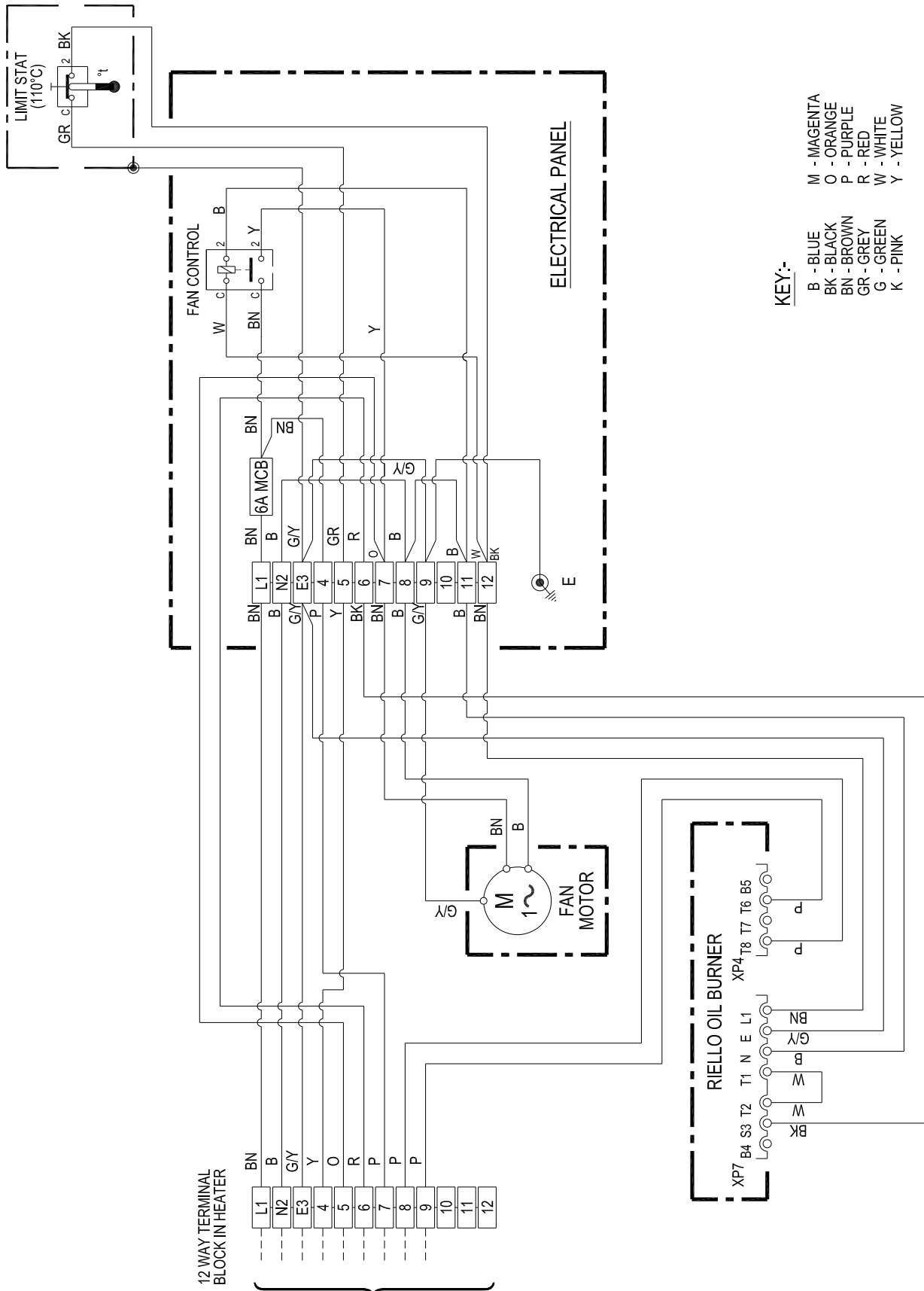
Internal Wiring Diagram 33-65-247

OUHC 60-100 ON/OFF Riello Oil Fired Burner



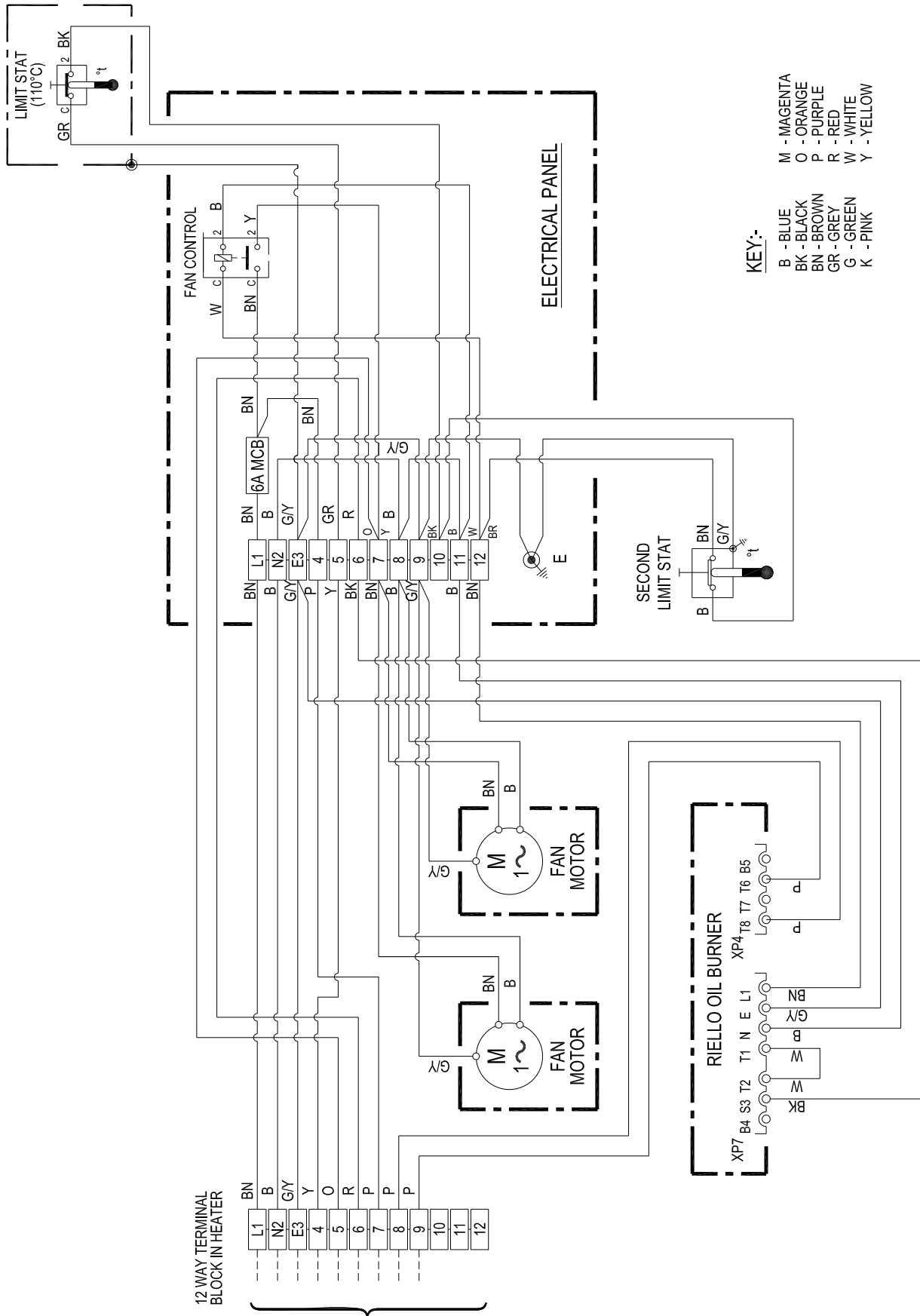
Internal Wiring Diagram 33-65-248

Ouha/OUHC 30-40 HI/LOW Riello Oil Fired Burner



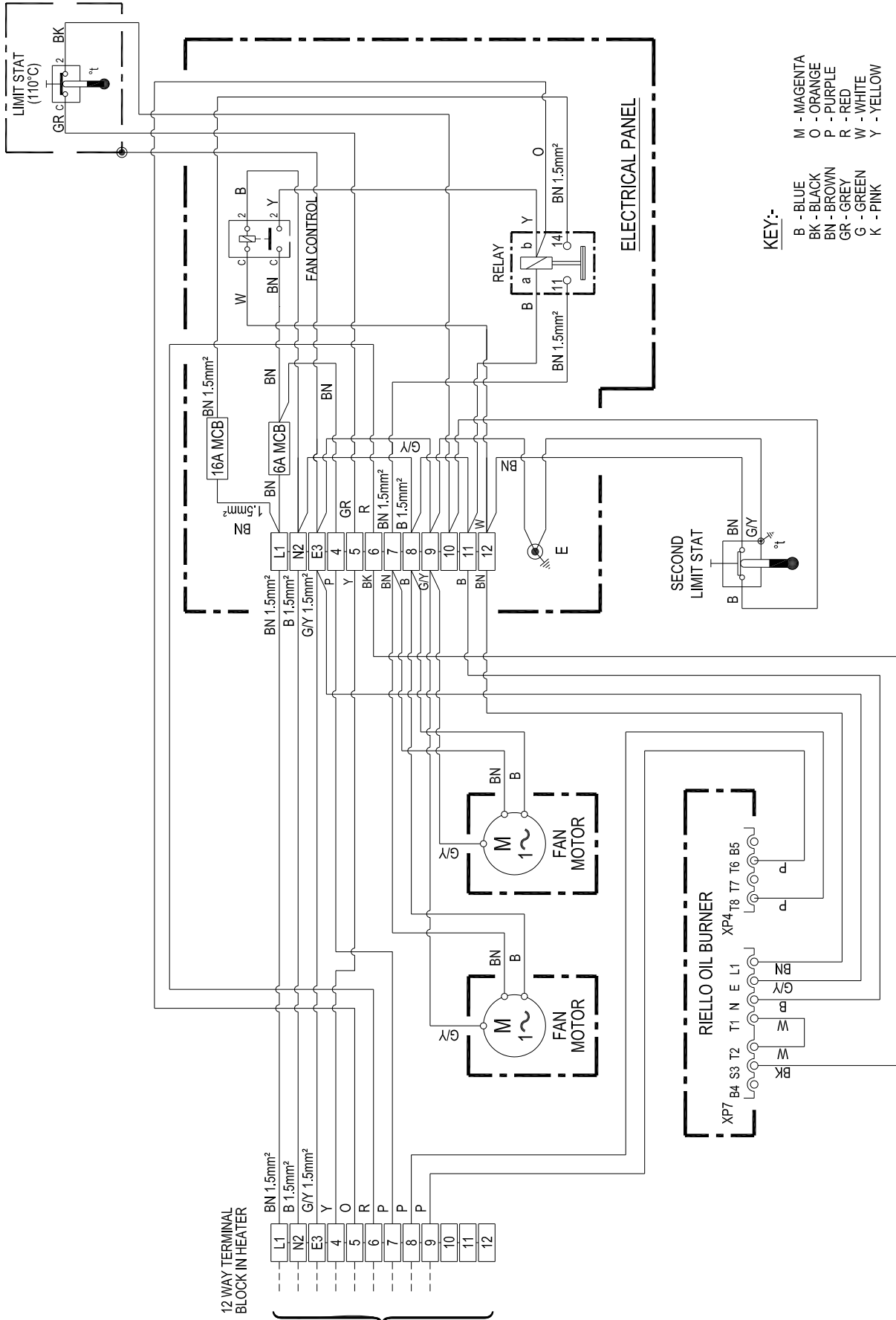
Internal Wiring Diagram 33-65-249

Ouha 60-100 HI/LOW Riello Oil Fired Burner



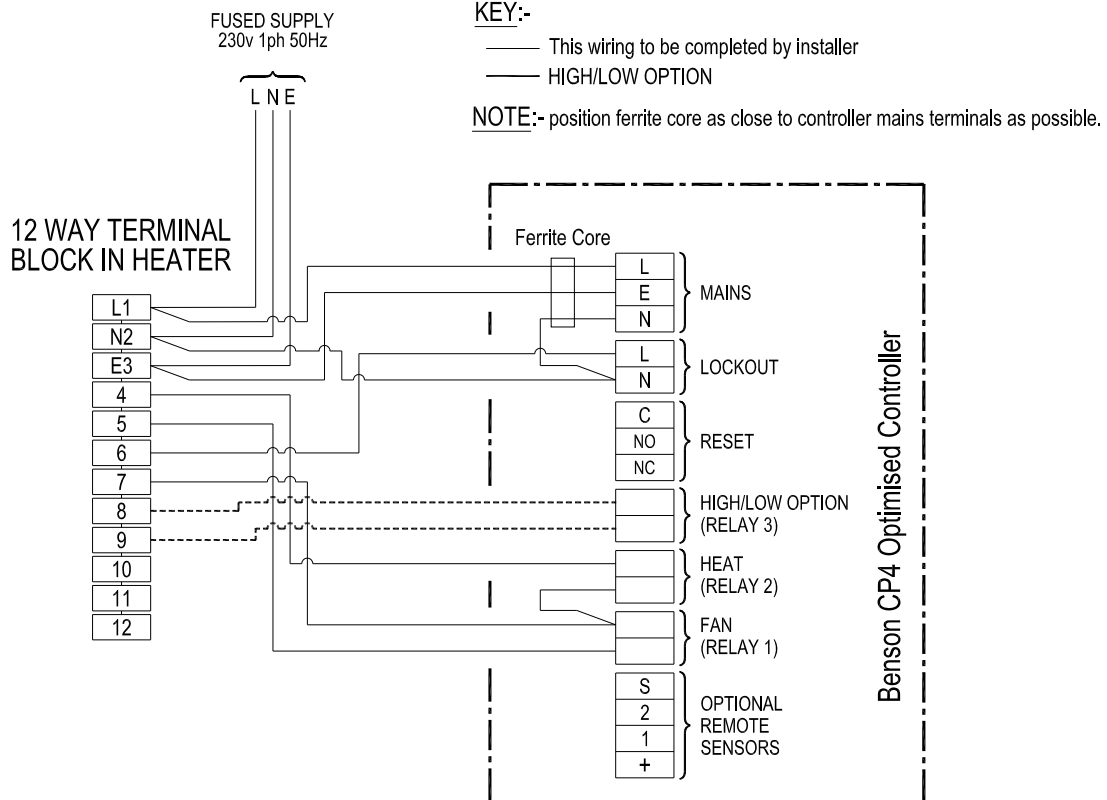
Internal Wiring Diagram 33-65-250

OUHC 60-100 HI/LOW Riello Oil Fired Burner



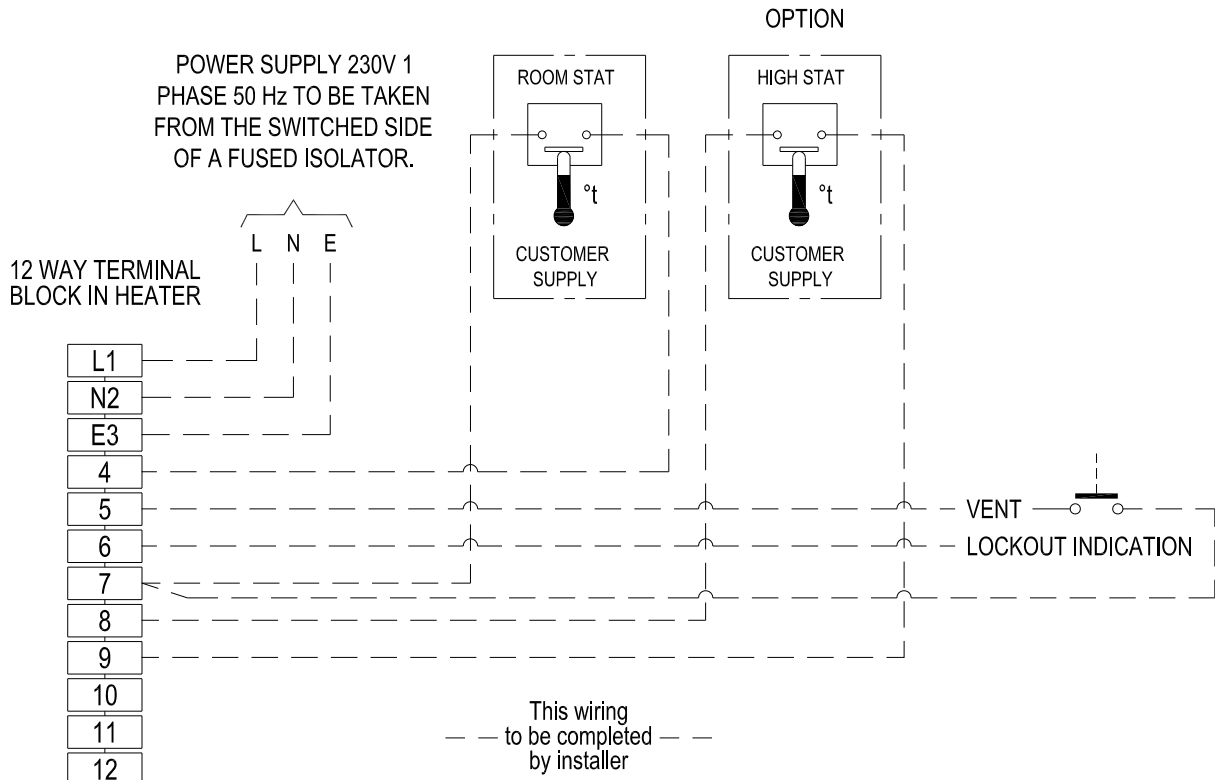
Remote Connections 33-65-131

ON/OFF (HI/LOW) to CP4



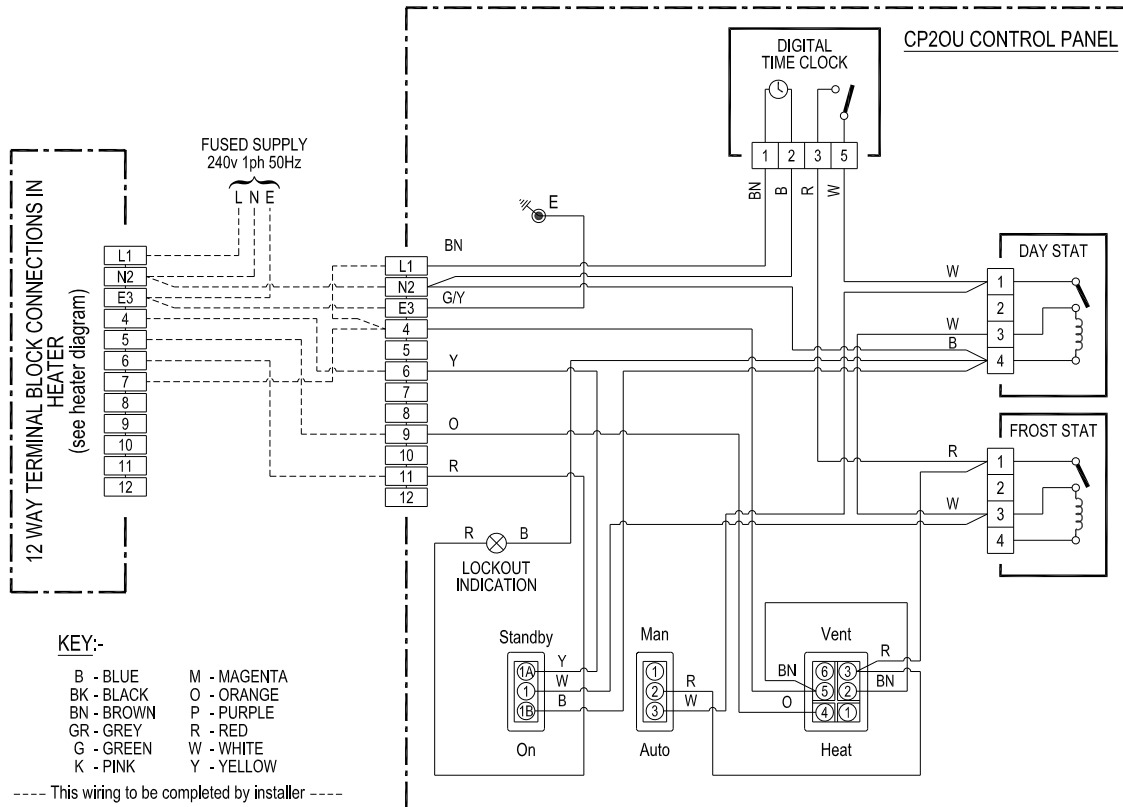
Remote Connections 33-65-228

ON/OFF (HI/LOW) Less Controls



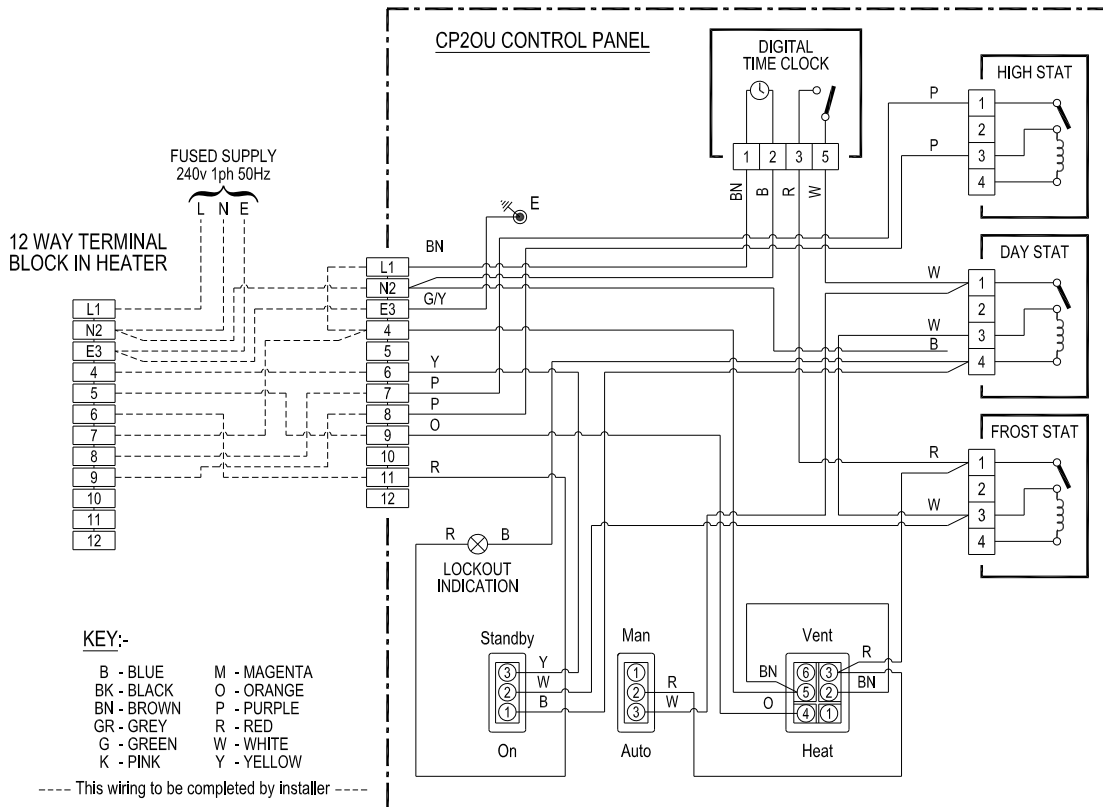
Remote Connections 33-65-102

ON/OFF to CP20U



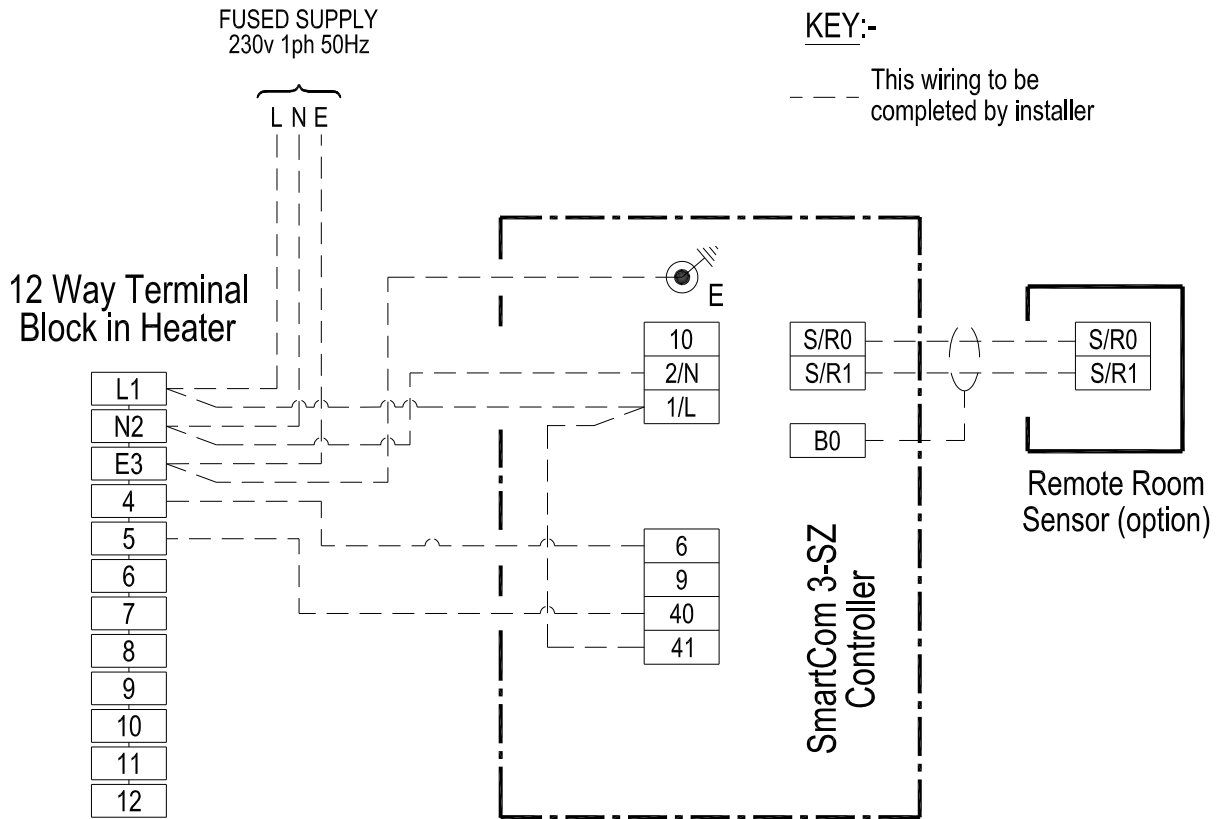
Remote Connections 33-65-130

HI/LOW to CP20U



Remote Connections 33-65-228

ON/OFF to SmartCom SC3-SZ



Remote Connections 33-65-229

HI/LOW to SmartCom SC3-MZ

