

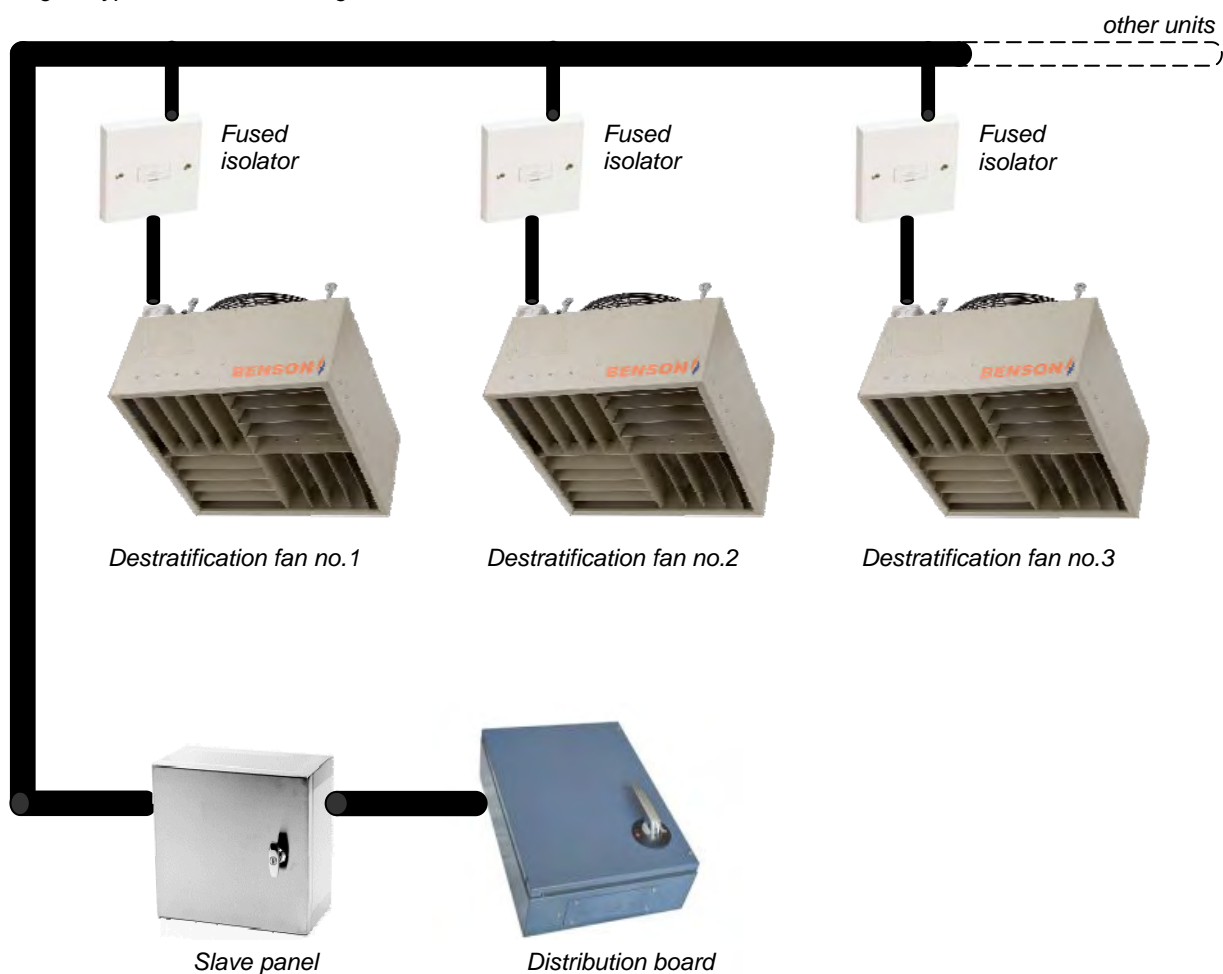
DE-STRATIFICATION FAN (LESS STAT).

This addendum sheet describes the wiring details of the destratification fan 'less stat' which does not include an integral thermostat.

Please read this addendum sheet in conjunction with the current destratification manual ref 36-04-264

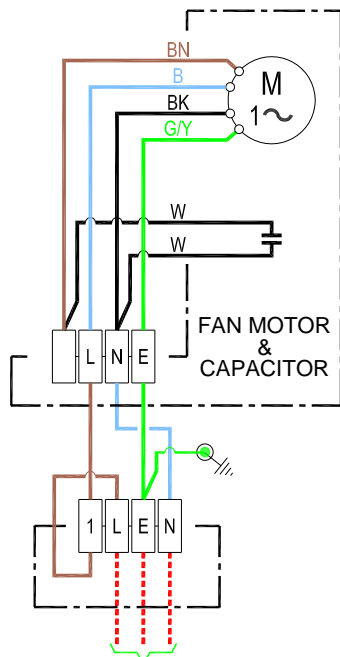
This option requires a separate controller which gives an individual switched live output to the unit(s).

Fig1 - Typical schematic wiring destratification fan 'less Stat'



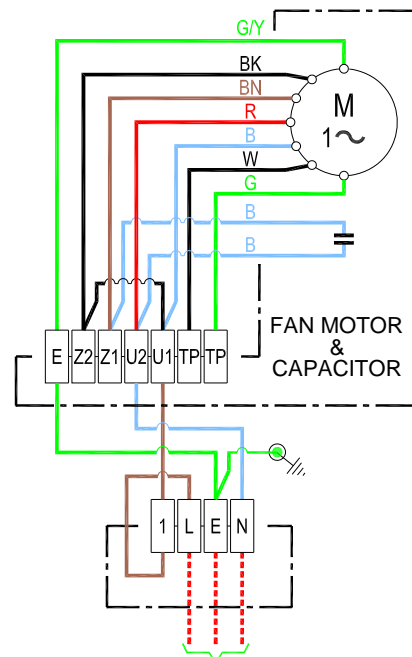
Wiring details.

Fig.2 - Internal wiring destrat fan 'less Stat' DS3 only



POWER SUPPLY }
230V 1 Pha 50Hz }
Must be taken from the switched
side of the fused isolator.

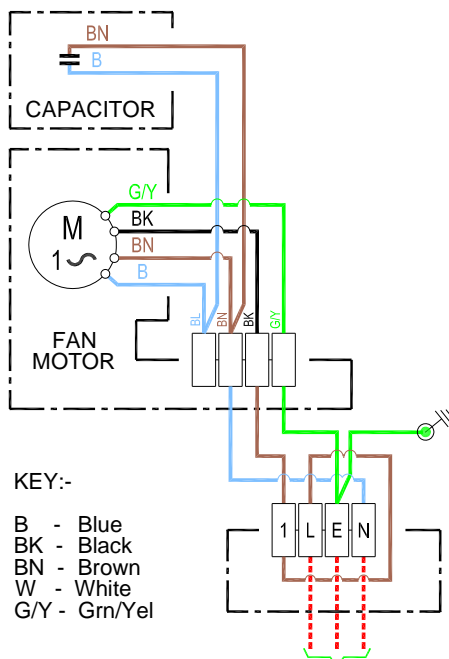
Fig.3 - Internal wiring destrat fan 'less Stat' DS4/DS8



POWER SUPPLY }
230V 1 Pha 50Hz }
Must be taken from the switched
side of the fused isolator.

KEY:-
B - Blue
BK - Black
BN - Brown
R - Red
W - White
G/Y - Grn/Yel

Fig.4 - Internal wiring destrat fan 'less Stat' DS6/DS10



KEY:-
B - Blue
BK - Black
BN - Brown
W - White
G/Y - Grn/Yel

POWER SUPPLY }
230V 1 Pha 50Hz }
Must be taken from the switched
side of the fused isolator.

Document reference number: 36-40-264F Feb 2014 issue4
Replaces Sept 2012 issue3

Technical Support:

Tel: 01384 489 200
Fax: 01384 489 707

ambiradgroupsupport@tnb.com
www.ambiradgroup.co.uk

AMBIRAD
HEATING AND VENTILATION SOLUTIONS

AMBIRAD AIRBLOC NORDAIRNICHE BENSON

A Thomas & Betts Company. Registered in England No. 1390934. Registered office: 27/28 East Castle Street, London.

AmbiRad UK is a registered trademark of AmbiRad Limited. Because of continuous product innovation, AmbiRad reserves the right to change product specification without due notice.