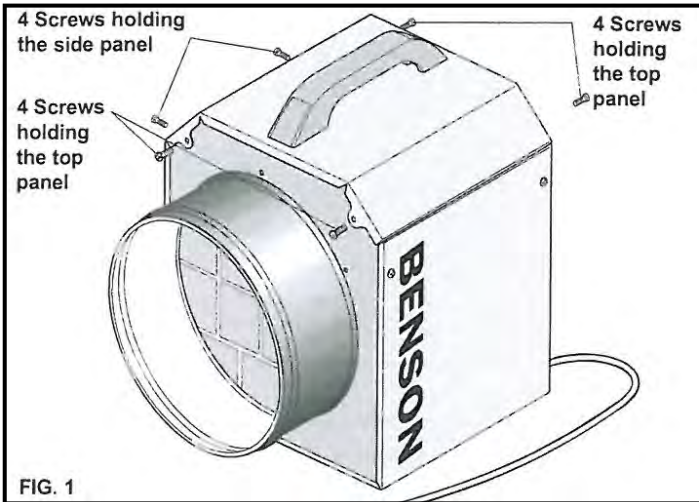
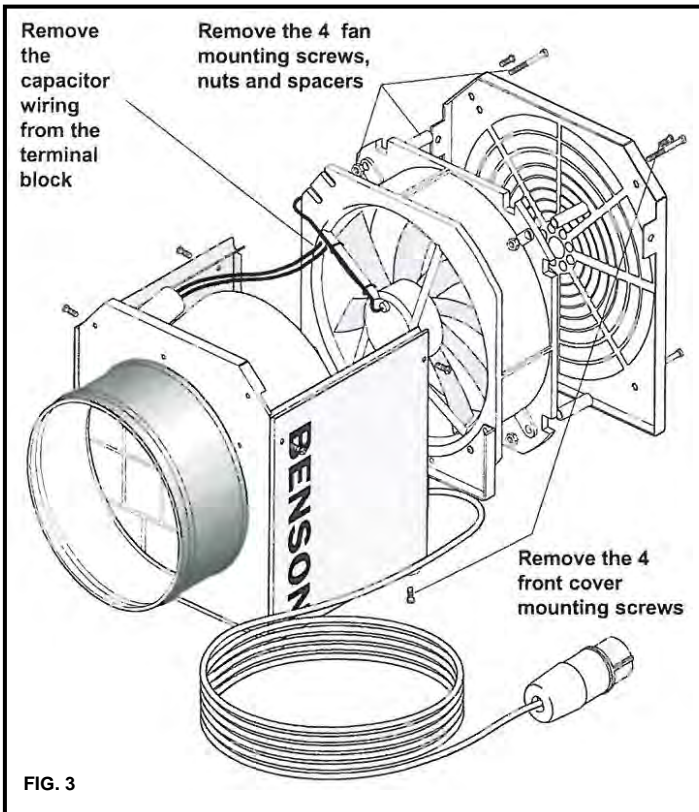
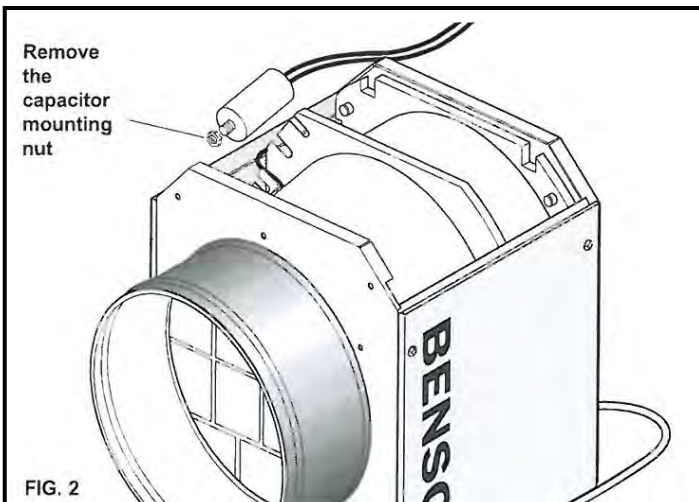


# PORTABLE FAN PARTS LIST AND SERVICE MANUAL



## TO REPLACE THE CAPACITOR

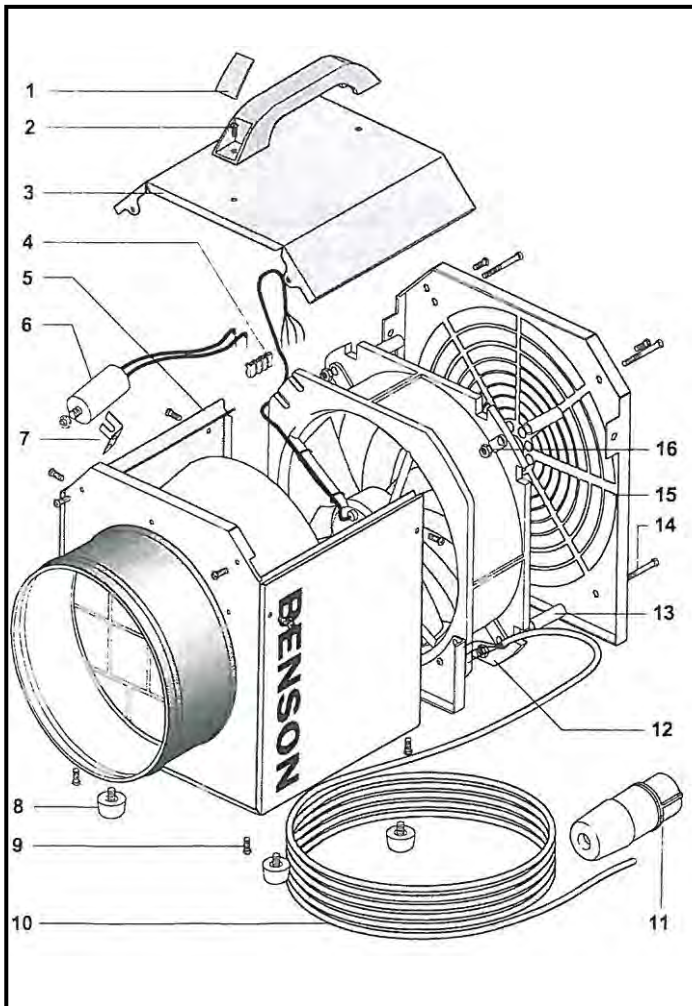
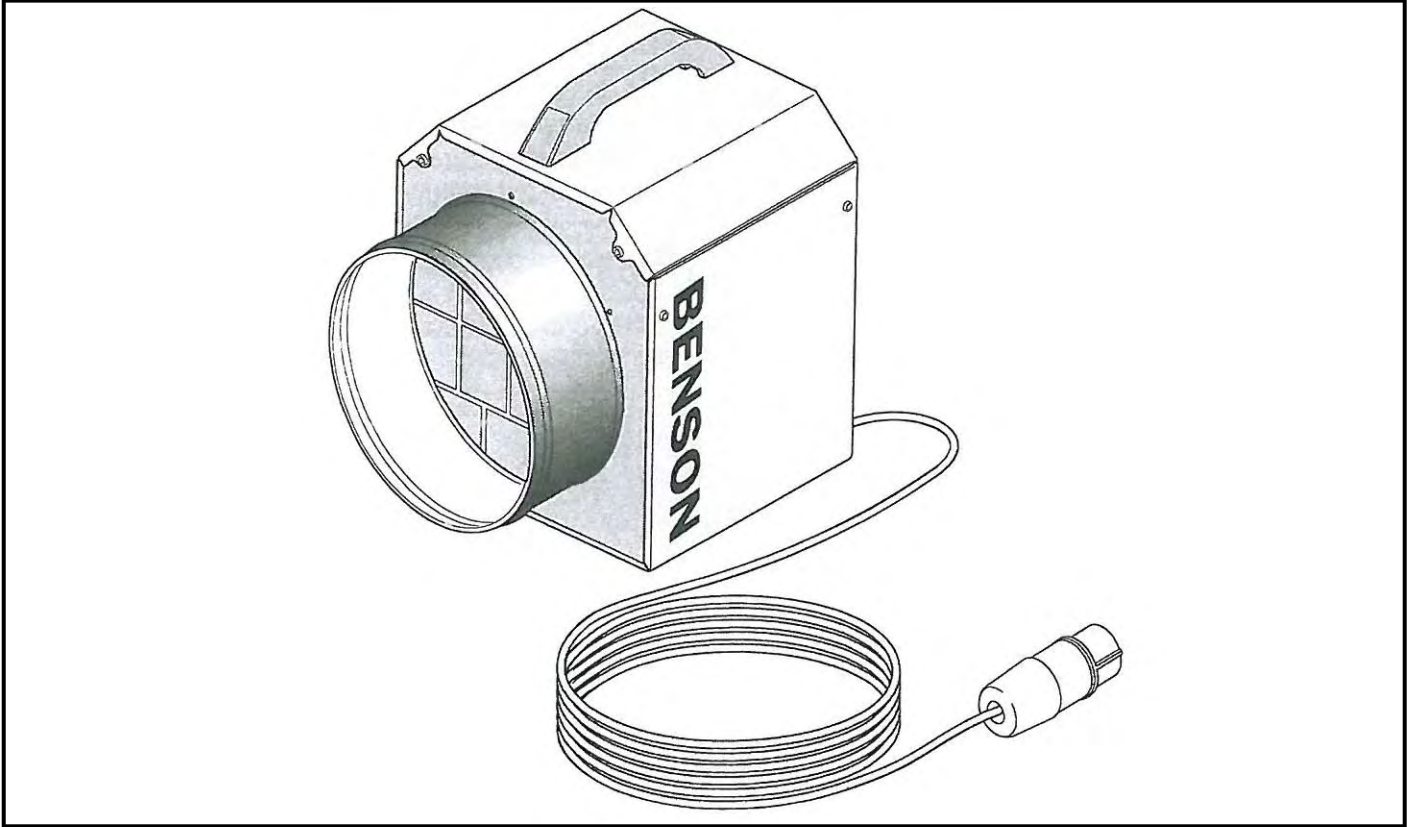
- 1 Remove the 4 screws holding the top/handle assembly in place (Fig. 1).
- 2 Remove the two screws holding the side panel adjacent to the capacitor (Fig. 1) - this allows the panel to be moved to gain access to the capacitor and the terminal block.
- 3 Remove or loosen the nut holding the capacitor in place (Fig. 2), and unscrew the capacitor.
- 4 Replace with a new unit and refit all screws and refit the top panel.



## TO REPLACE A DEFECTIVE FAN

- 1 Remove the 4 screws holding the top/handle assembly in place (Fig. 1).
- 2 Remove the four screws holding the front cover in place (Fig. 3) - there are 2 on the face of the panel and 2 on the underside.
- 3 Remove the mains input cabling from the terminal block.
- 4 Remove the capacitor wiring from the terminal block.
- 5 Remove the 4 screws, nuts and spacers holding the fan to the front cover and remove the fan.
- 6 Replace the defective unit with a new unit and reverse the strip down procedure to assemble.

# PORTABLE FAN PARTS LIST AND SERVICE MANUAL



Drg No.	DESCRIPTION	Part No.	No.	Off
1	HANDLE		1	
2	SCREW		2	
3	TOP PRESSING		1	
4	TERMINAL BLOCK		1	
5	BASE AND SIDES		1	
6	CAPACITOR		1	
7	BRACKET - CAPACITOR		1	
8	FEET		4	
9	SCREW			
10	CABLE - POWER SUPPLY		1	
11	PLUG - TRANSFORMER		1	
12	FAN UNIT		1	
13	SPACER - FAN UNIT		4	
14	SCREW - FAN UNIT		4	
15	FRONT COVER		1	
16	NUT - FAN UNIT		4	

**BENSON HEATING**