

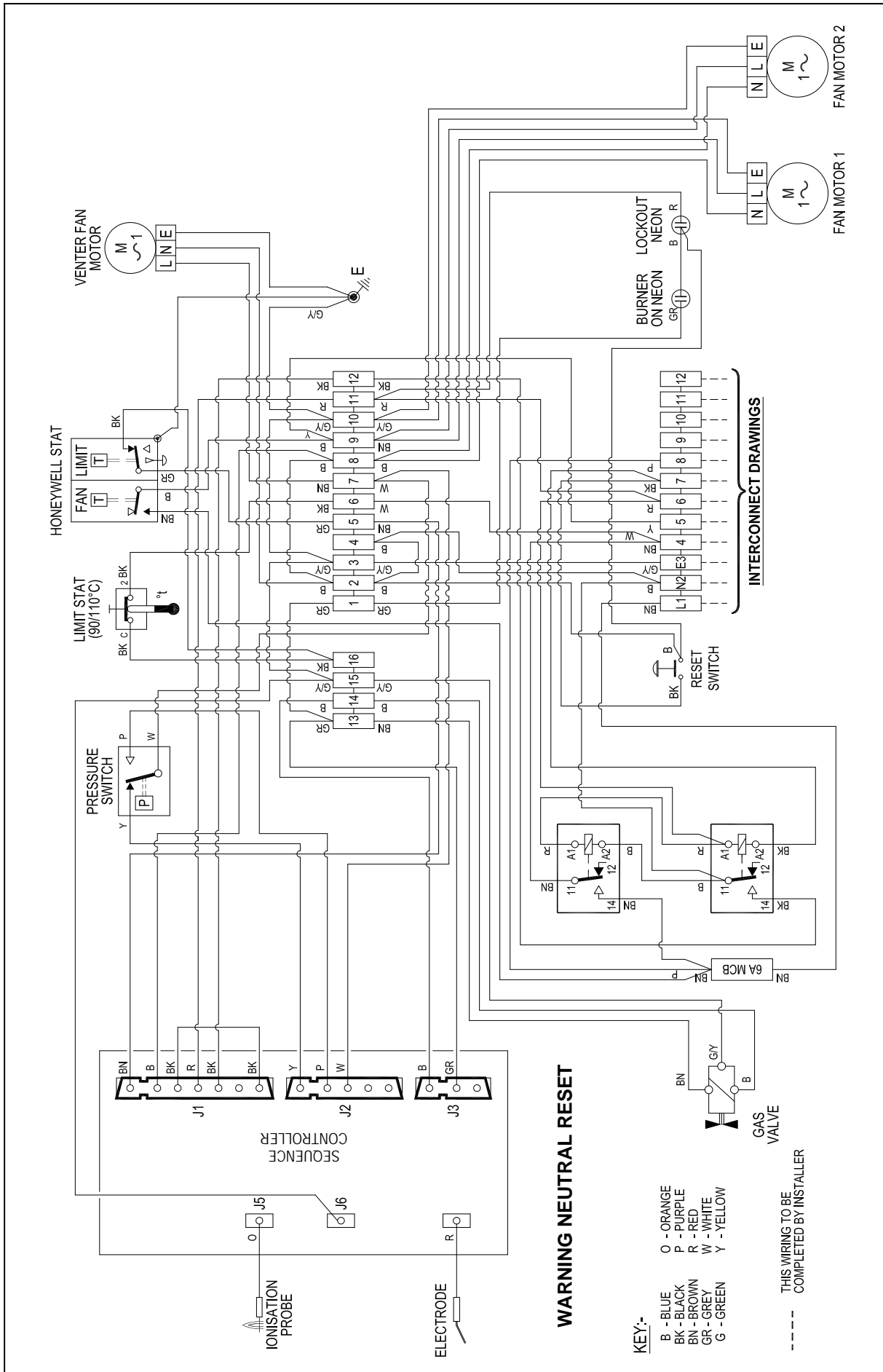
WIRING DIAGRAM MANUAL FOR BENSON VARIANTE² BI DIRECTIONAL



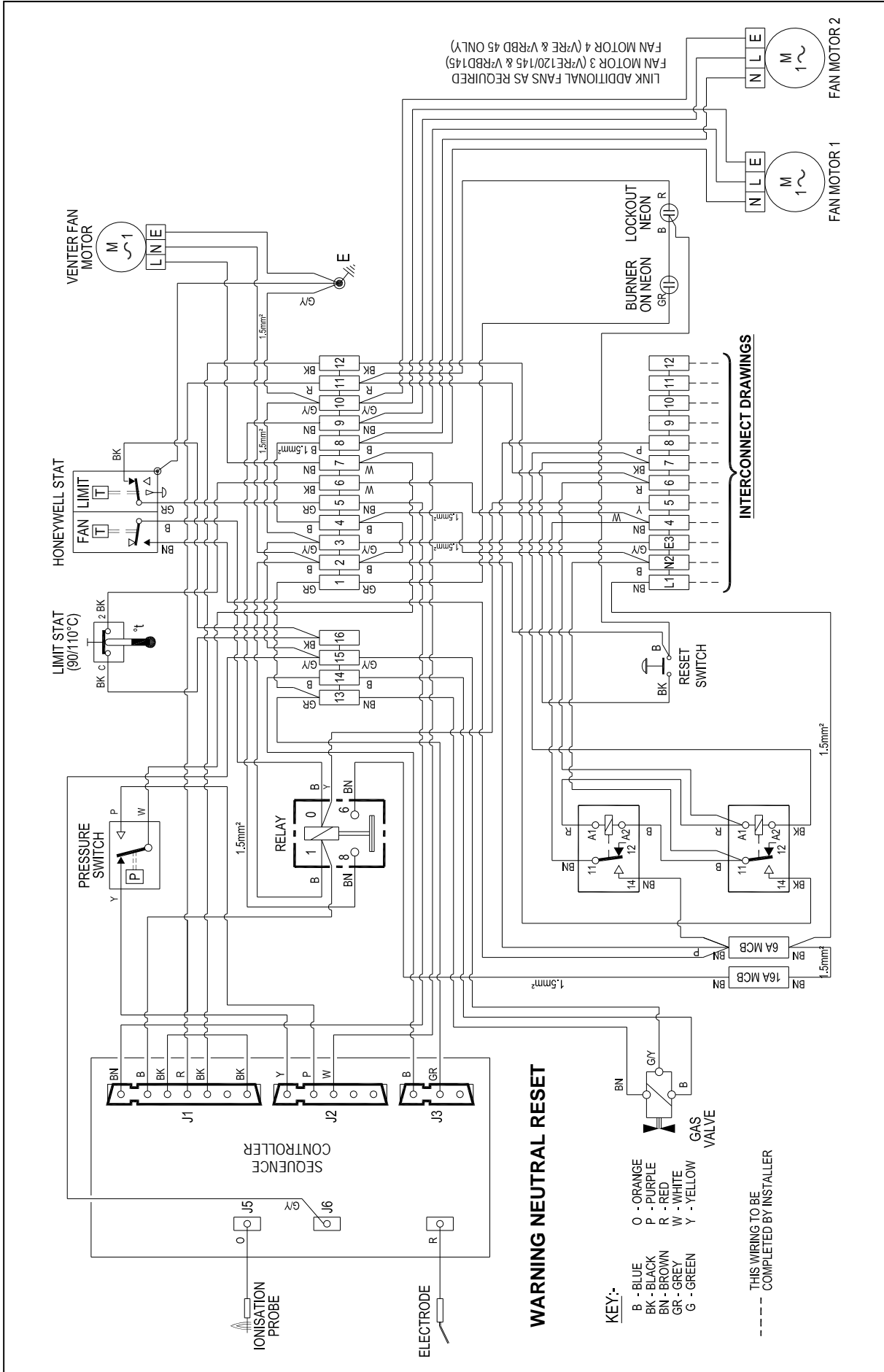
WARNINGS

Installation of Benson Equipment must be carried out in accordance with the current IEE wiring regulations (BS 7671), BS 6896 (Industrial & Commercial) and any other relevant British Standards and Codes of Practice by a qualified installer. All external wiring **MUST** comply with the current IEE wiring regulations.

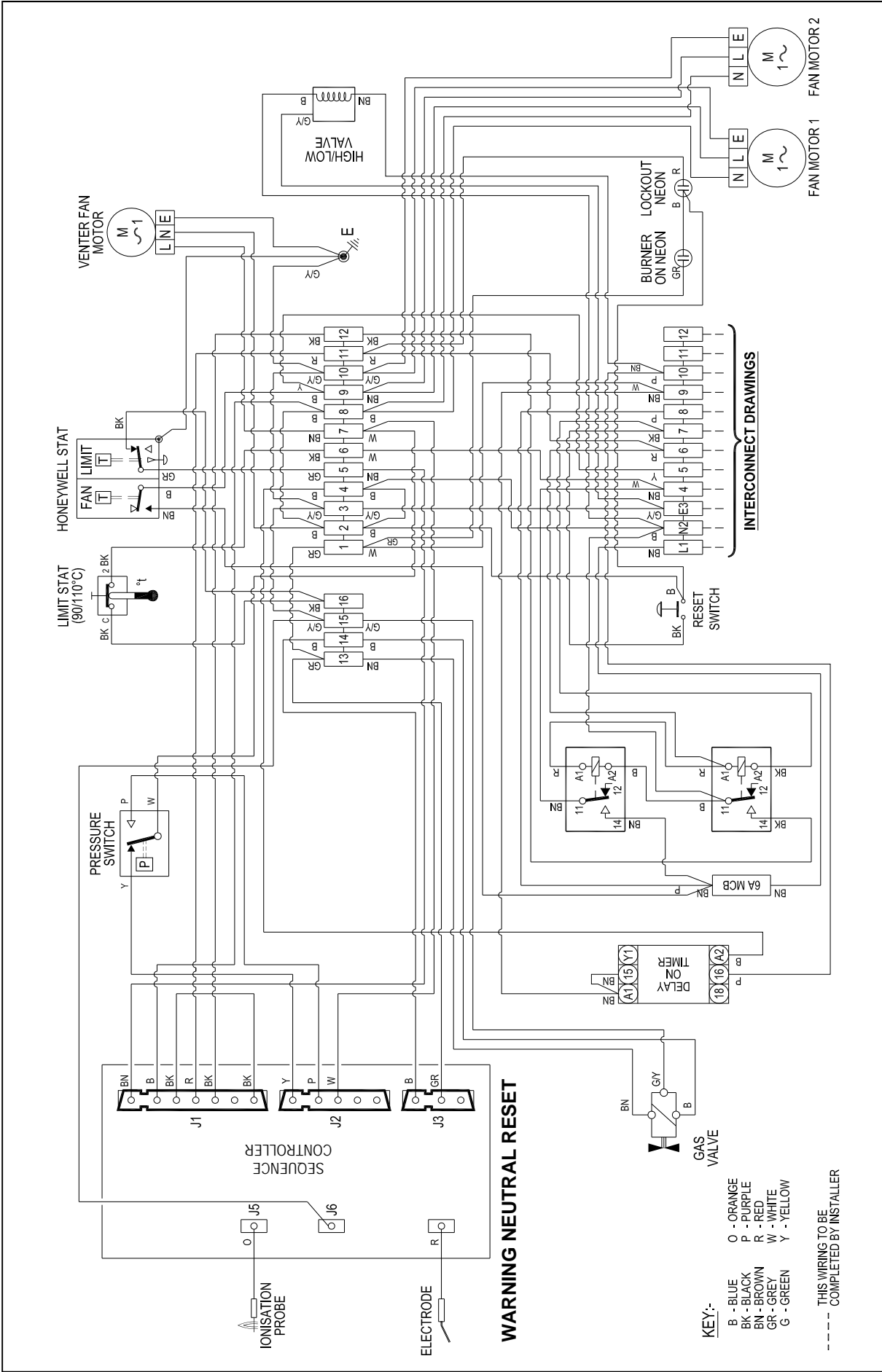
Wiring Diagram 33-67-696 VRBD 72-95 Auto ignition On/Off



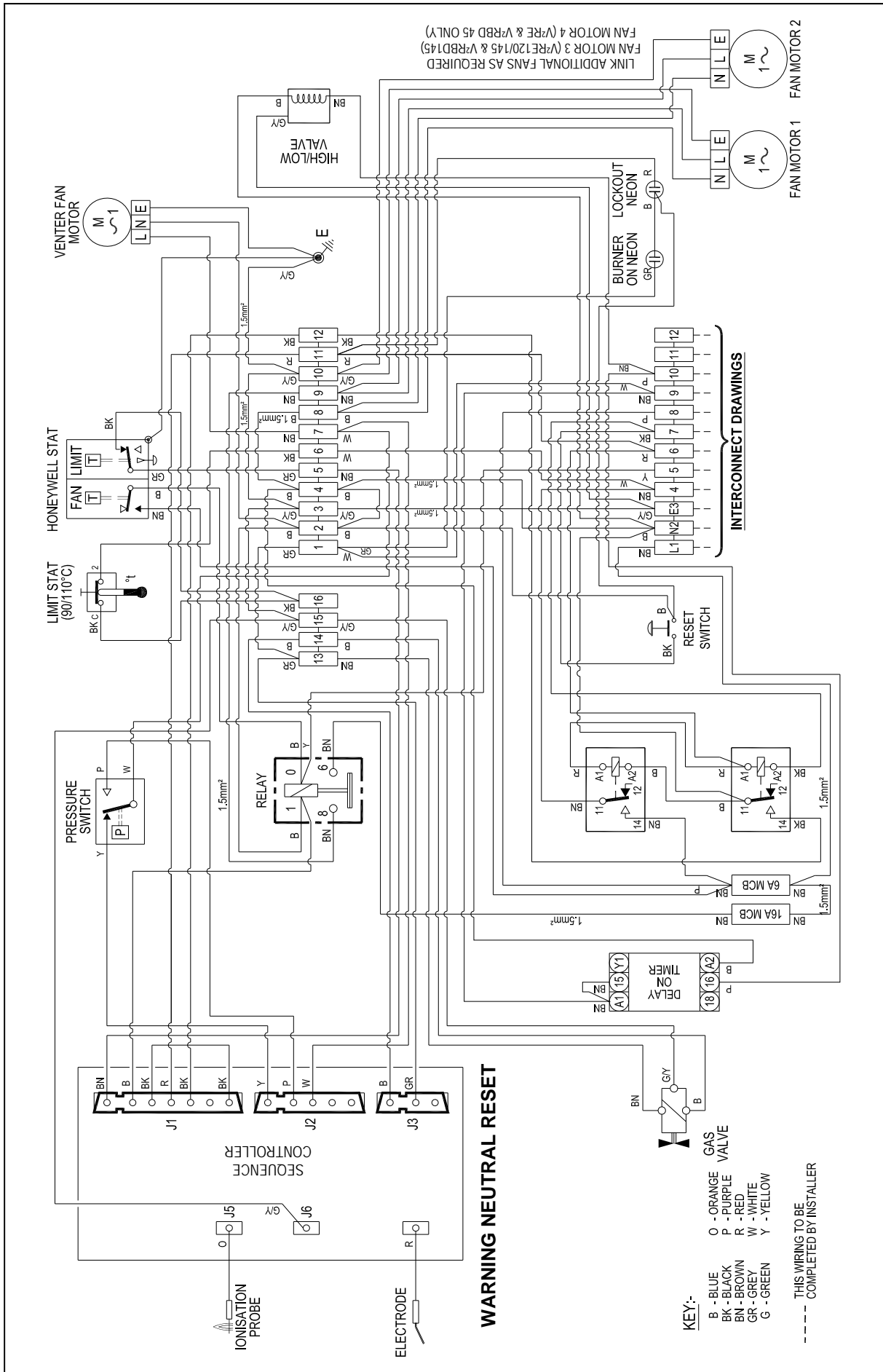
Wiring Diagram 33-67-697 VRBD 120-145 Auto ignition On/Off



Wiring Diagram 33-67-700 VRBD 72-95 Auto ignition Hi/Low



Wiring Diagram 33-67-701 VRBD 120-145 Auto ignition Hi/Low



FAN MOTOR 3 (V_{RE} 120/145 & V_{RE}BD145)
 FAN MOTOR 4 (V_{RE} & V_{RE}BD 45 ONLY)
 LINK ADDITIONAL FANS AS REQUIRED

VENTER FAN MOTOR

FAN MOTOR 1

FAN MOTOR 2

HONEYWELL STAT

LIMIT STAT (90/110°C)

RELAY

DELAY ON TIMER

GAS VALVE

RESET SWITCH

BURNER LOCKOUT NEON

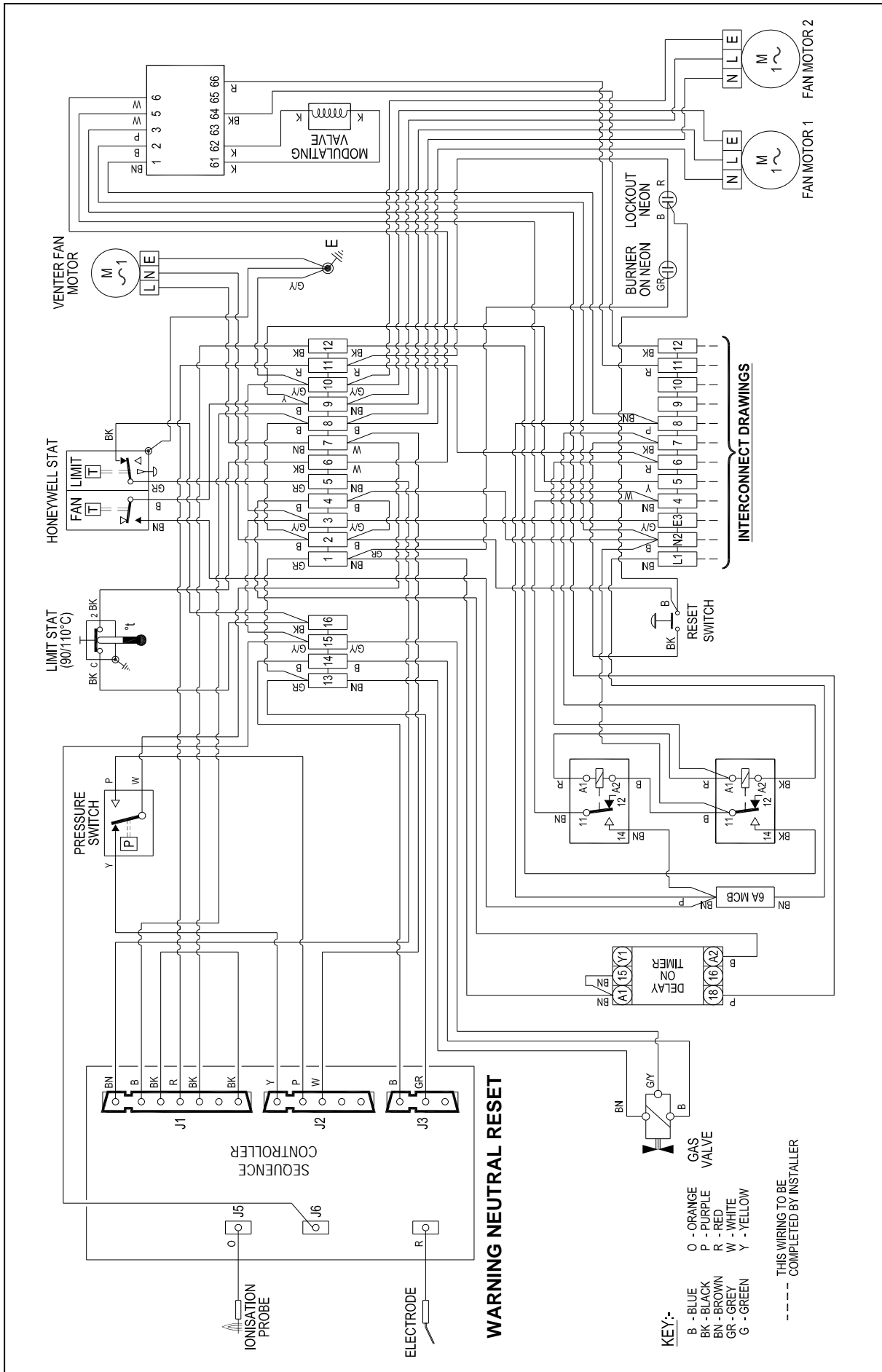
BURNER ON NEON

HIGH/LOW VALVE

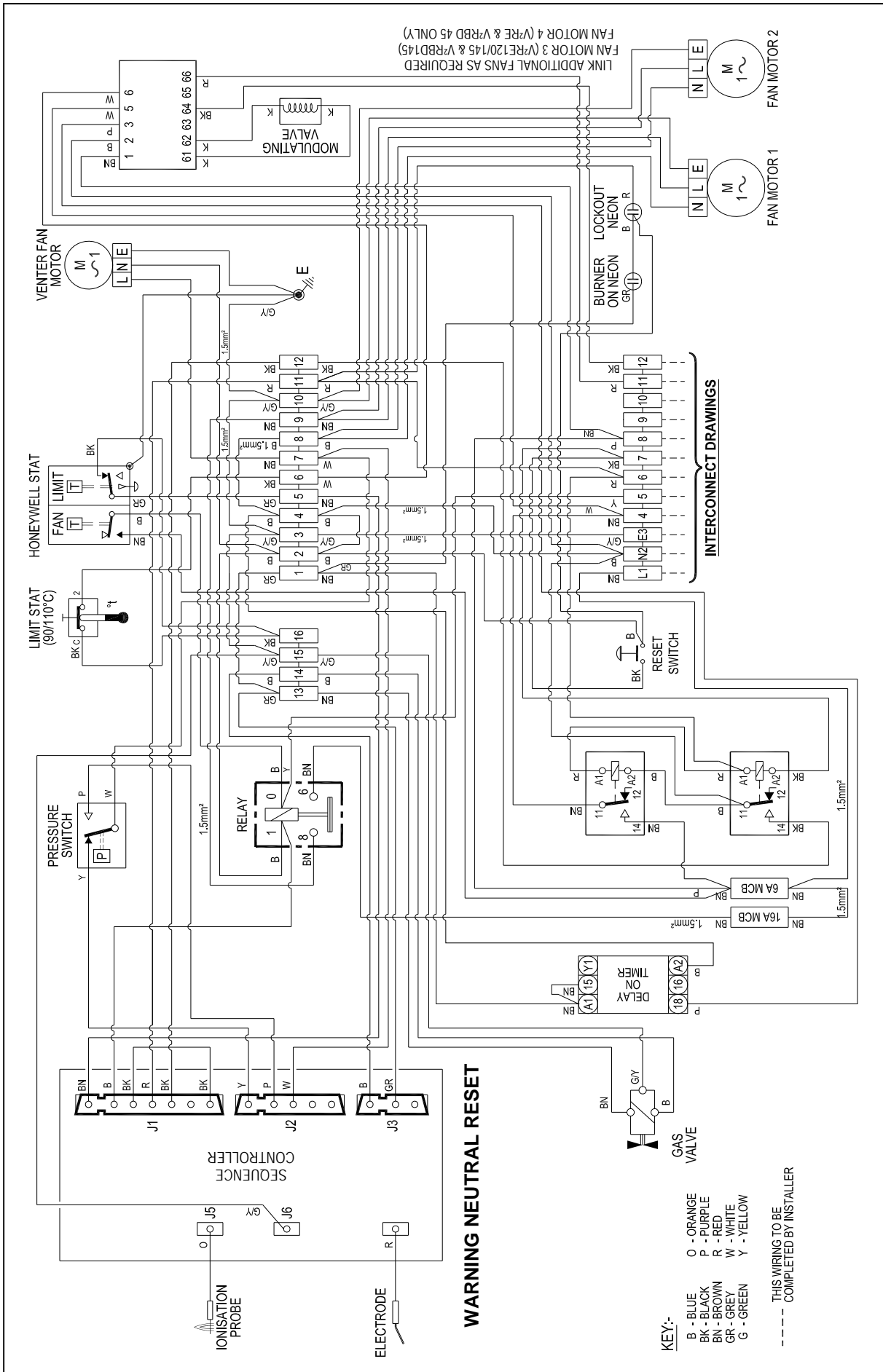
16A MCB

6A MCB

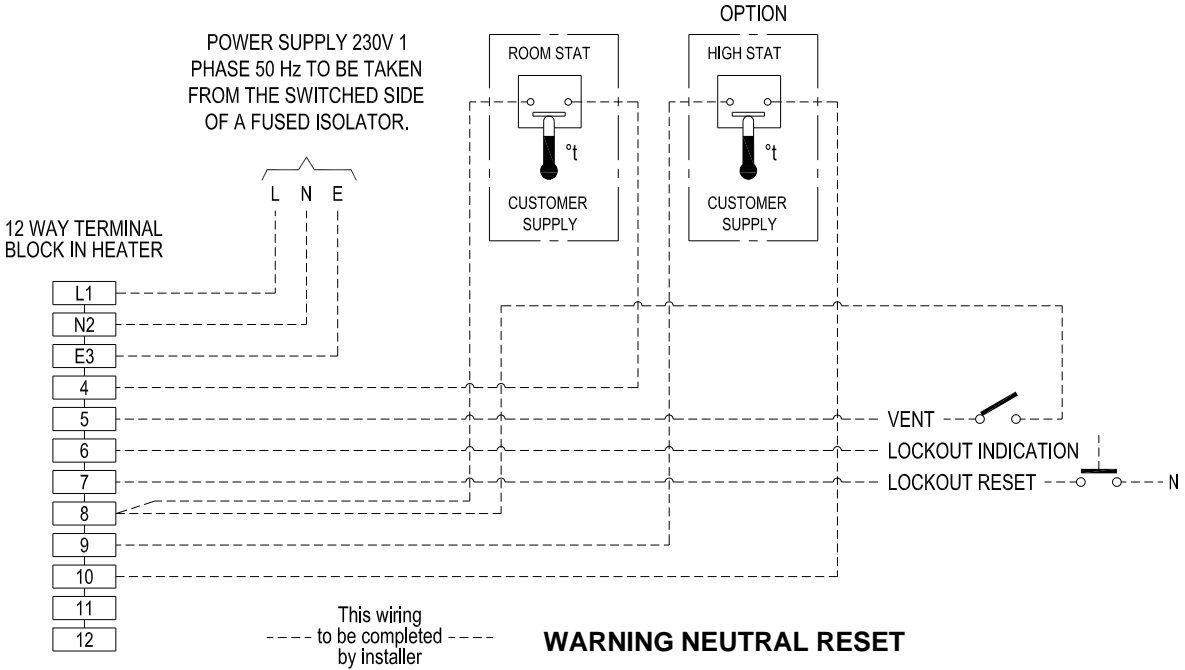
Wiring Diagram 33-67-704 VRBD 72-95 Auto Ignition Modulation



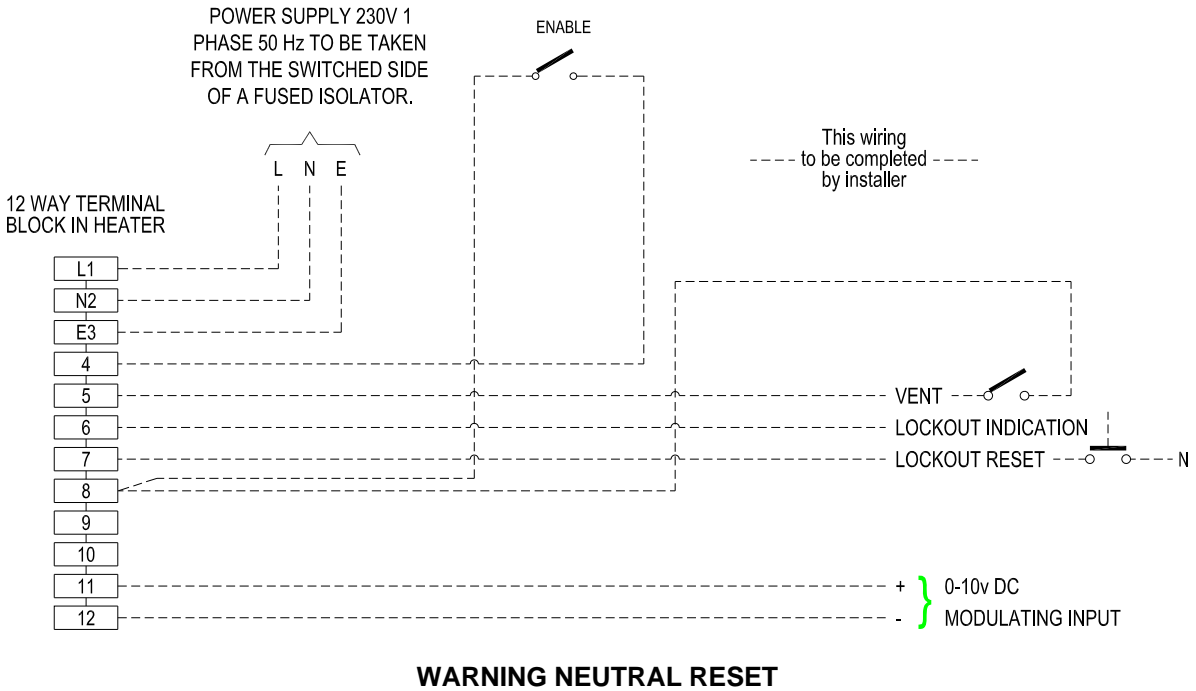
Wiring Diagram 33-67-705 VRBD 120-145 Auto ignition Modulation



Less Controls Connections On/Off (Hi/Low) 1 Phase 33-64-349T



Less Controls Connections Modulation 1 Phase 33-64-584





Benson Heating Ludlow Road Knighton
Powys LD7 1LP United Kingdom.

Telephone 01547 528534
Facsimile 01547 520399
Email sales@bensonheating.co.uk
Website www.bensonheating.co.uk



Benson Heating Ltd is a registered trademark of AmbiRad Limited. Because of continuous product innovation, Benson Heating reserve the right to change product specification without due notice.