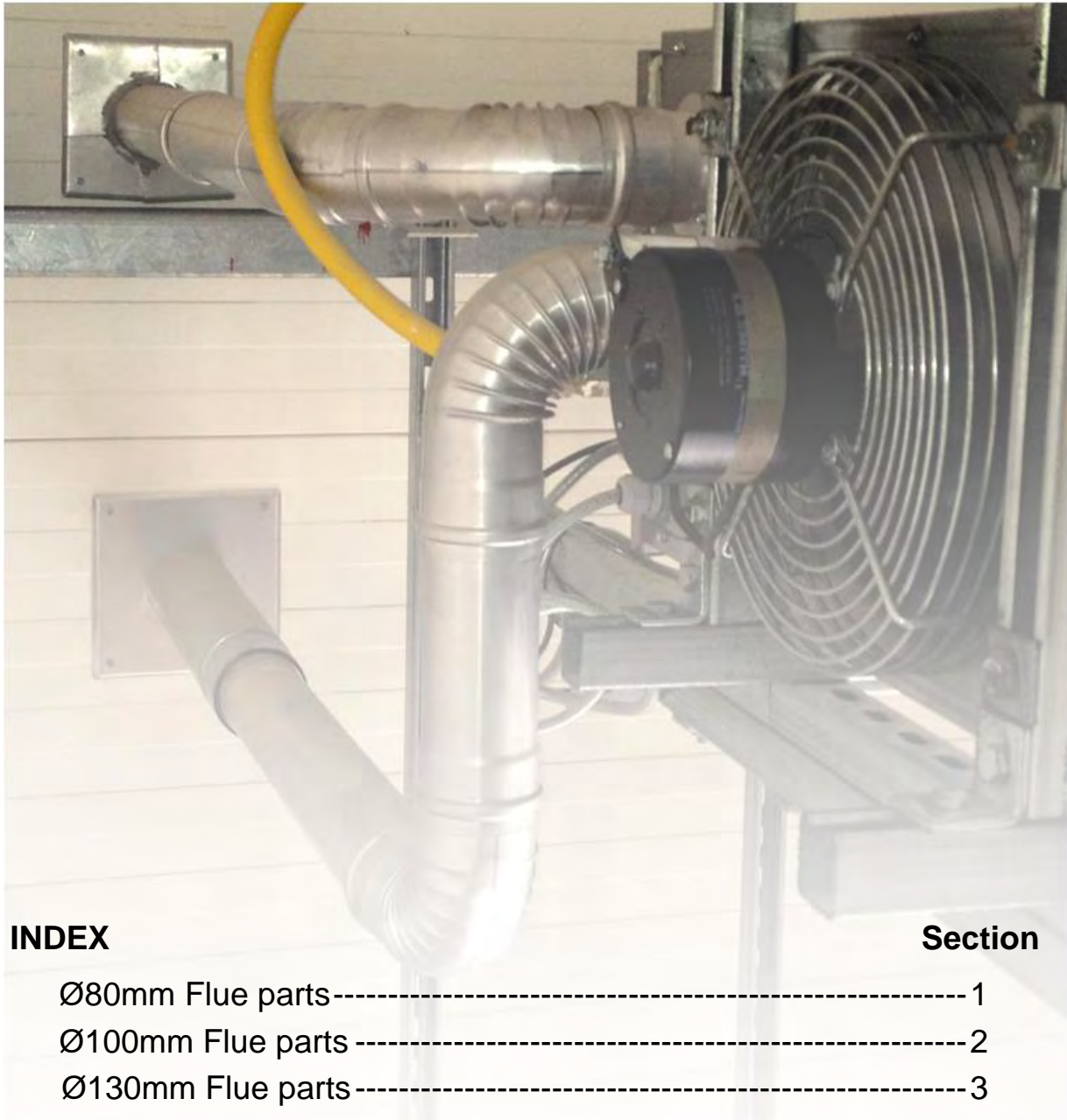


STAINLESS STEEL FLUE FITTINGS Ø80, Ø100 & Ø130MM DIMENSIONAL DATA SHEET



INDEX

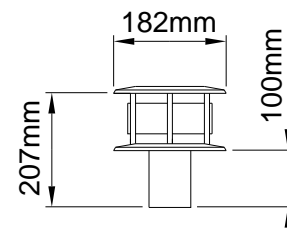
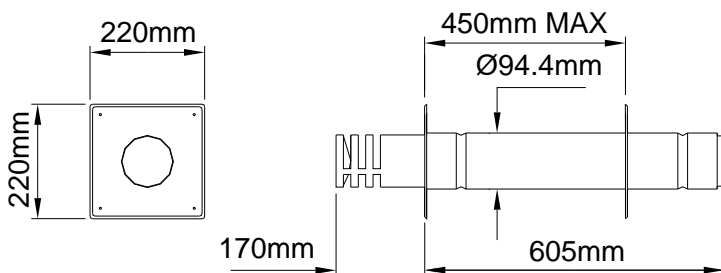
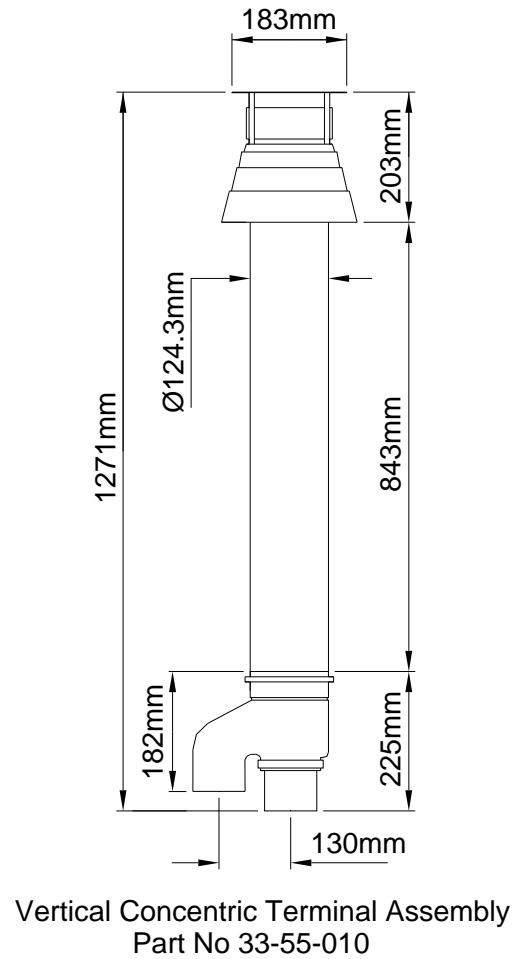
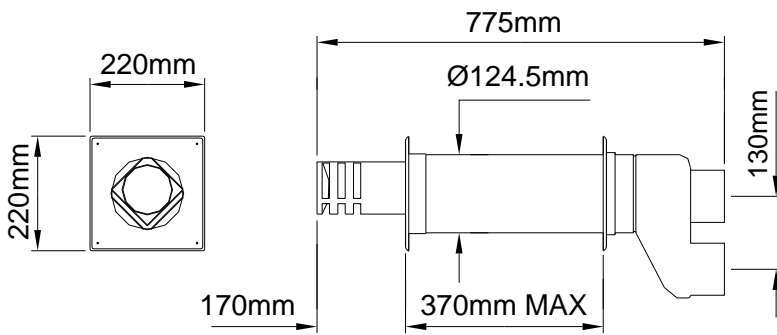
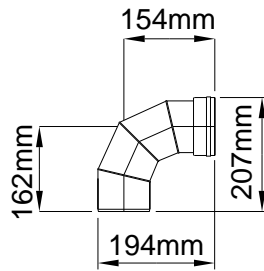
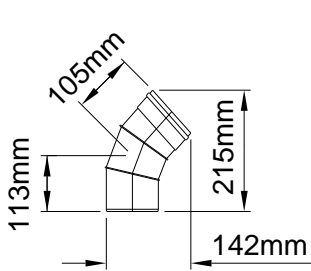
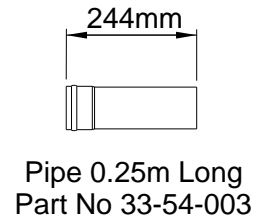
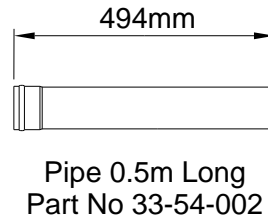
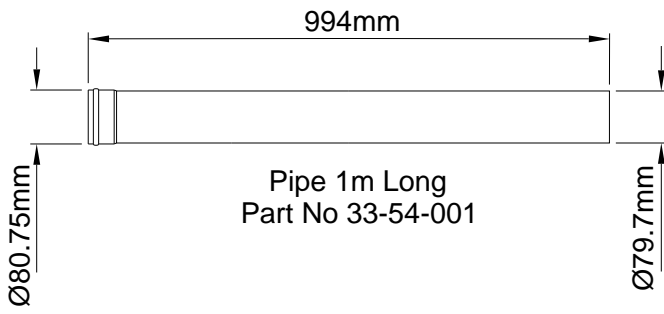
Section

Ø80mm Flue parts-----	1
Ø100mm Flue parts -----	2
Ø130mm Flue parts -----	3

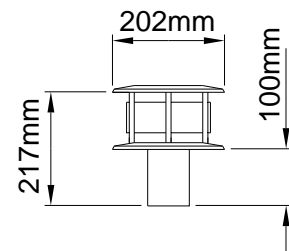
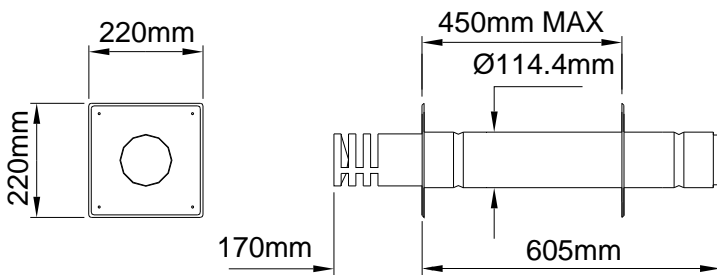
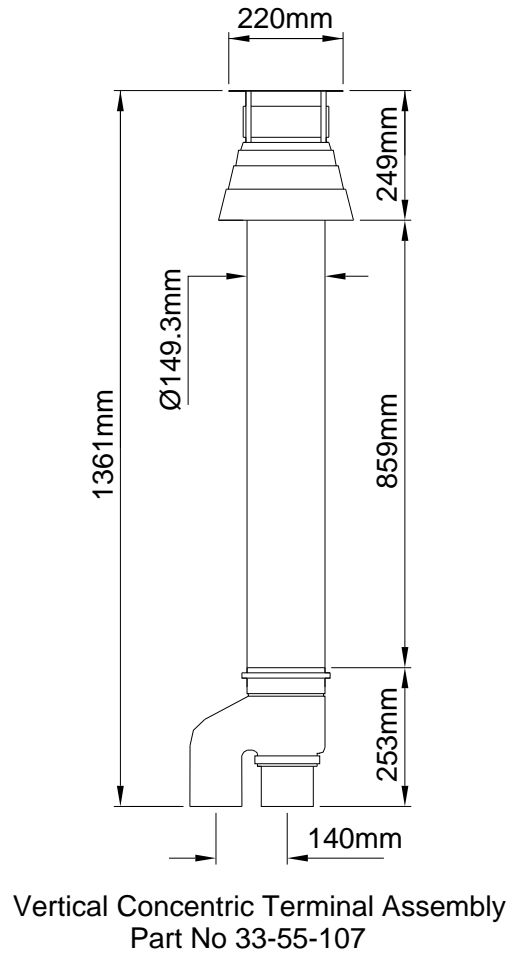
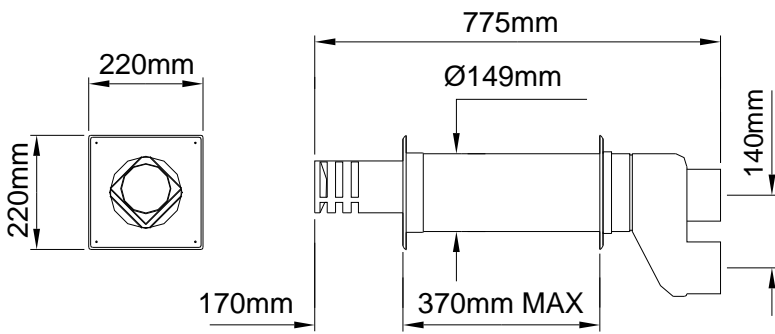
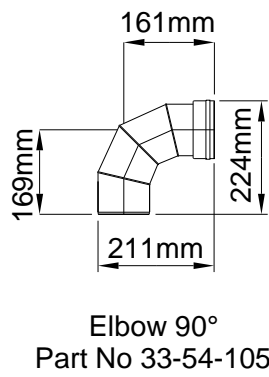
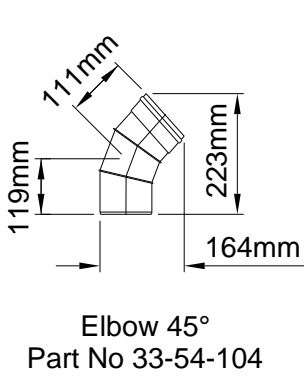
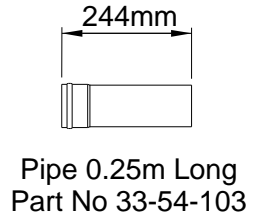
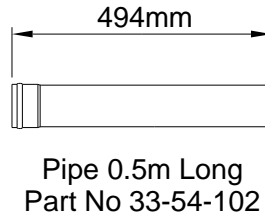
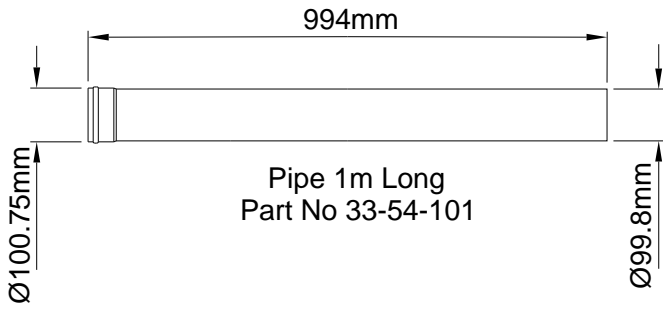
WARNINGS

AmbiRad equipment must be installed and maintained in accordance with the relevant provisions of the Gas Safety (Installations and Use) Regulations 1998 for gas fired products. Due account should also be taken of any obligations arising from the Health and Safety at Works Act 1974 or relevant codes of practice.

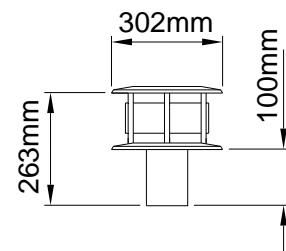
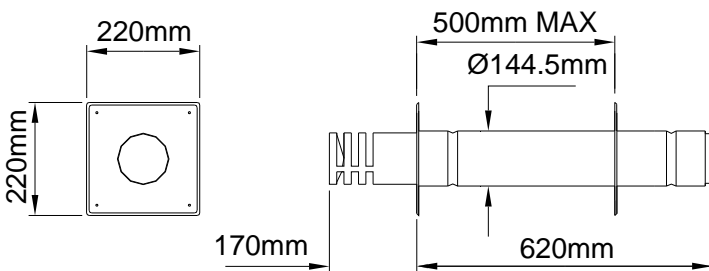
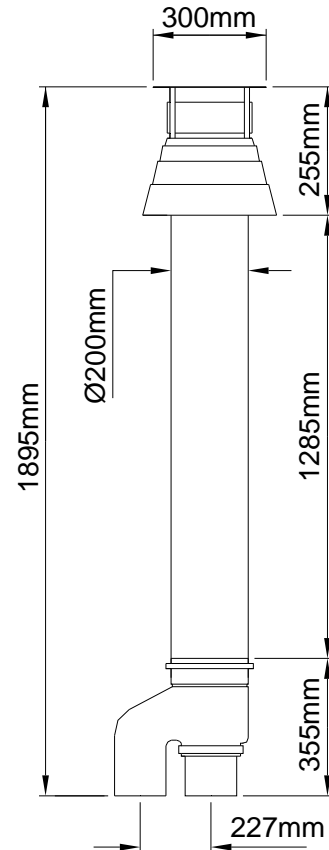
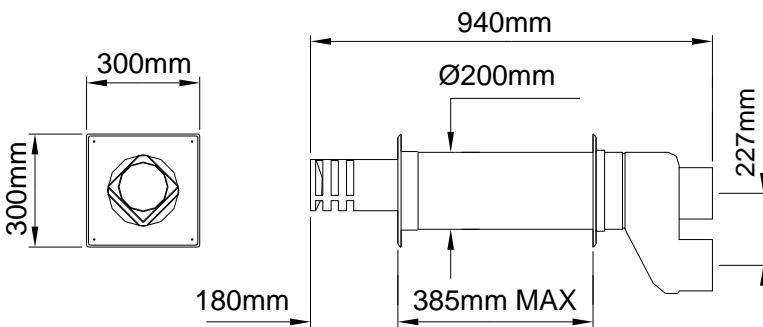
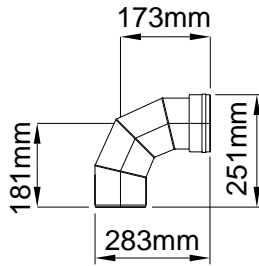
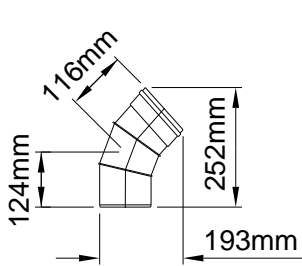
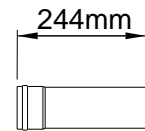
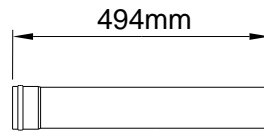
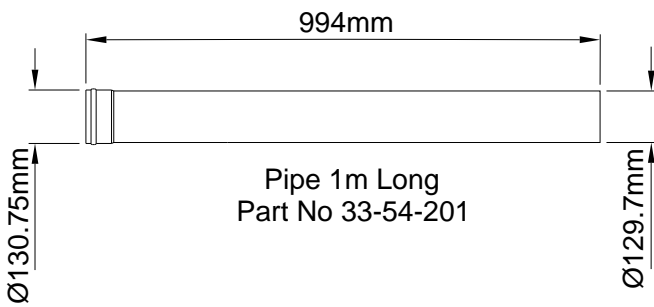
Ø80mm



Ø100mm



Ø130mm



AMBIRAD
HEATING AND VENTILATION SOLUTIONS

Technical Support:

Tel: 01384 489 200
Fax: 01384 489 707

ambiradgroupsupport@tnb.com
www.ambiradgroup.co.uk

AMBIRAD AIRBLOC NORDAIRNICHE BENSON

A Thomas & Betts Company. Registered in England No. 1390934. Registered office: 27/28 East Castle Street, London.

AmbiRad UK is a registered trademark of AmbiRad Limited. Because of continuous product innovation, AmbiRad reserves the right to change product specification without due notice.