

INSTALLATION AND OPERATING INSTRUCTIONS

BENSON RECOUPAK RANGE

R1750 R2500 R3250 R4500 R6300

INSTALLATION

The Recoupak is designed for installation into roof space areas where it will operate automatically discharging the warm air trapped within the roof spaces back down to the working zones consequently saving energy costs.

Four eyebolts are provided with each Recoupak enable suspension by wire, or these can be discarded and replaced with suitable size drop rods able to support a minimum weight of **(35 KG)**.

For ideal operation the unit should be positioned within the highest point in the building to allow an effective down flow as detailed in the
A clearance of 1 metre should be observed between the roof and the top of the fan casing.

Technical Data

Model		R1750	R2500	R3250	R4500	R6300
Air Displacement	m ³ /s	0.833	1.180	1.533	2.123	2.970
	ft ³ /min	1750	2500	3250	4500	6300
Electrical supply	V/Ph/Hz	230/1/50	230/1/50	230/1/50	230/1/50	230/1/50
Power absorption	Kw	.16	.23	.30	.60	.55
Fuse rating	amps	5	10	10	10	10
Running current	amps	0.6	1.7	1.7	4.2	2.5
Weight	kg	14	25	25	25	35
Maximum Throw	m	9	15	18	24	24
	ft	30	49	59	78	78
Velocity	M/s	3.77	3.63	4.72	6.53	5.73
Height	Mm	410	510	510	420	420
Width	Mm	470	572	572	572	720
Depth	mm	470	572	572	572	720

ELECTRICAL CONNECTIONS

The fans require a fused supply of 230v/1Ph/50Hz AC

For safety and maintenance purposes each fan should be fitted with an isolator located adjacent to the unit.

Fans can be speed controlled with either electronic controllers or transformers

WARNING

Before carrying out any work to the Recoupak unit **ISOLATE FROM ELECTRICAL SUPPLY FAN CAN START WITHOUT WARNING**

COMMISSIONING

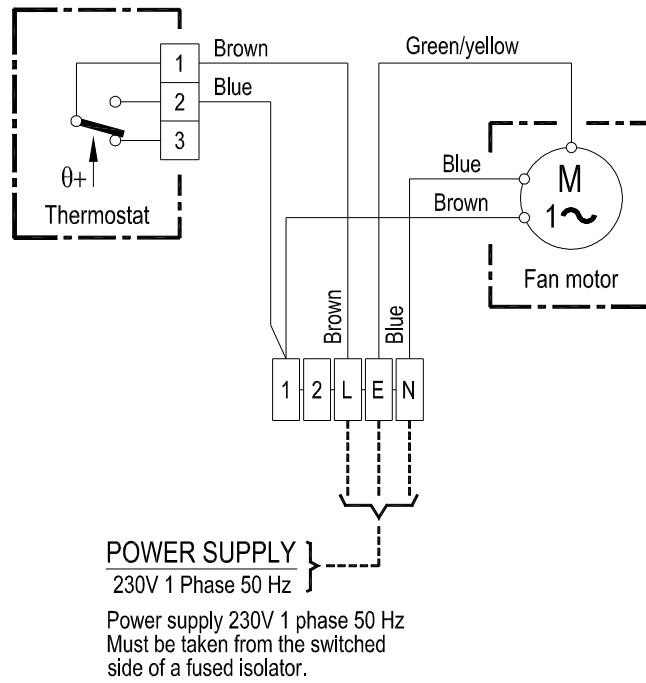
Isolate from power supply, adjust thermostat to a level 3 to 4 degrees **C** above the room thermostat setting controlling the heating source.

Adjust louvres outwards to give desired air distribution and ensure blades are not resonating

Reconnect power supply. **UNIT IS NOW READY FOR OPERATION**

WIRING DIAGRAMS

Recoupak R1750 to R4500



Recoupak R6300

