

BENSON ECA CABINET HEATER

(GAS FIRED)

**INSTALLATION COMMISSIONING
SERVICING
USER INSTRUCTIONS**

**November 2005
Issue 1**

PART NO 20-45-363

~ CONTENTS ~

SECTION 1

1.0 Compliance Notices	4
1.1 Certificates of Conformity	5
1.2 General Product Information	5
1.3 General Requirements	5
1.4 Delivery & Pre-installation Checks	6
1.5 Warranty	6
2.0 Location & Positioning	7
2.1 Gas Supply	9
2.2 Electrical Supply	9
2.3 Air Supply	9
2.4 Minimum Space Requirements	10
2.5 Air Distribution System	10
2.6 Flue System	11
3.0 Installation	15
3.1 Packaging & Siting	15
3.2 Flooring	15
3.3 Minimum Clearances	15
3.4 Assembly	15
3.5 Flue Installation	15
3.6 Gas Installation and Connection	16
3.7 Electrical Installation & Connection	16
3.8 Air Distribution Installation	16
3.9 Warm Air Registers	16
3.10 Heater Control Installation	17
4.0 Commissioning	17
4.1 Pre-Test	17
4.2 Ignition	18
4.3 Air Delivery System	20
4.4 Hand Over	20
5.0 Servicing	21
5.1 Planned Servicing	21
5.2 Servicing Procedure - Major Component Parts	21
5.3 Servicing - Re-commissioning	24
6.0 Fault Diagnosis By Flow Charts	25
7.0 Wiring Diagrams by Model and Burner Type	27
8.0 Technical Data Net Efficiency Calculations	33
8.1 Benson Cabinet Range Data	34
9.0 Reference Documents Standards, Codes of Practice	37
9.1 Parts Listing	38

SECTION 2

10.0 Introduction

- 10.1 Commissioning/hand over
- 10.2 Servicing
- 10.3 Start up procedure
- 10.4 Stop procedure
- 10.5 Shutdown procedure
- 10.6 Ventilation only
- 10.7 Lockout situations
- 10.8 Contact Information

ILLUSTRATIONS

	Page No
Exploded view	8
Flue Systems	12-14
Fan and Motor Configurations	22
Fault Diagnosis Flow Charts	25
Wiring Diagrams	27

Any reference made to Laws, Standards, Directives , Codes of Practice or other recommendations governing the application and installation of heating appliances and which may be referred to in Brochures, Specifications, Quotations, and Installation, Operation and Maintenance manuals is done so for information and guidance purposes only and should only be considered valid at the time of the publication. Benson Heating cannot be held responsible from any matters arising from the revision to or introduction of new Laws, Standards, Directives, Codes of Practice or other recommendations.

1.0 Compliance notices

The Benson Gas fired Cabinet Heaters detailed herewith are manufactured by Benson Heating Within a strictly controlled quality environment within the parameters of ISO 9001.

These instructions are only valid if the following country code is on the appliance **GB. IE.** If this code is not present on the appliance, it is necessary to refer to the technical instructions which will provide the necessary information concerning the modification of then appliance to the conditions of use for the country.

The Benson range has been tested and assessed for compliance with the following European Directives.

Gas Appliance Directive (90/396/ EEC)
Machinery Directive (89/392/EEC)
Low Voltage Directive (73/23/EEC)
& (93/68/EEC)
Electromagnetic Compatibility Directive
(89/336/EEC & 91/31/EEC)

Product Liability Directive (65/374/EEC)

The manufacturer has taken reasonable and practical steps to ensure that Benson Cabinet Heaters are safe and without risk when properly used. These heaters should therefore only be used in the manner and purpose for which they were intended, and in accordance with the recommendations detailed herewith.

The heaters have been designed, manufactured, assembled, inspected, and tested, with safety and quality in mind, there are certain basic precautions which the installer and user should be aware of, and they are strongly advised to read the appropriate sections of the information pack accompanying the heater, prior to installation or use.

Benson Heating supports all new products being supplied to their customers with a comprehensive information pack; this clearly defines mandatory instructions for the safe installation, use, and maintenance, of the appliance(s).

Where proprietary items are incorporated into Benson Heating products, detailed information and instructions are also provided as part of the information pack.

It is the responsibility of the installer, owner, user, or hirer, of such products supplied by Benson Heating, to ensure that they are familiar with the appropriate information/ manuals, supplied by the manufacturer, and that they are suitably aware of the purpose of the manuals and the safety instructions. In addition, operators must be suitably trained in the use of the appliance so as to ensure its continued safe and efficient use.

Benson Heating has a commitment to continuous improvement, and therefore reserves the right to amend or change the specification of the Cabinet Heater range subject to compliance with the appropriate European, national, and local regulations.

Contained within the text of the manual, the words **'Caution'** and **'Warning'** are used to highlight certain points.

Caution is used when failure to follow or implement the instruction (s) can lead to premature failure or damage to the heater or its component parts.

Warning is used when failure to heed or implement the instruction (s) can lead to not only component damage, but also to a hazardous situation being created where there is a risk of personal injury.

NOTE
THE WARRANTY REGISTRATION CARD SUPPLIED WITH THE HEATER MUST BE COMPLETED AND RETURNED IN THE PRE-PAID ENVELOPE TO BENSON HEATING ON COMPLETION OF COMMISSIONING

Warranty claims made without this condition being fulfilled will not be processed

The Benson range of Gas fired Cabinet Heaters conform to the following harmonised standards;

BS EN 1020 Requirements for non domestic gas fired forced convection air heaters for space heating incorporating a fan to assist transportation of combustion air and/or combustion products.

BS EN 292 - Part 1 : 1991
Safety of Machinery - Basic Concepts, General Principles for Design Basic terminology, methodology

BS EN 292 - Part 2 : 1991
Safety of Machinery - Basic Concepts, General Principles for Design Technical Principles and Specifications

BS EN 60204 - Part 1 : 1993
Safety of Machinery - Electrical Equipment for Machines Specification for General Requirements

BS EN 60335 - Part 1 : 1988
Safety of Household and Similar Electrical Appliances General Requirements

BS EN 55014 - 1993
Limits and methods of measurement of radio disturbance characteristics of electrical motor-operated and thermal appliances for household and similar purposes, electrical tools and similar electric apparatus

BS EN 50165 - 1995
Electrical Equipment of non-electric heating appliances for household and similar purposes, safety requirements

1.1 Certificates of conformity

Certificates are available from the Quality Control Department at Benson Heating.
Notified body Pin reference is 63AQ0533.

1.2 General product information

The Benson range of indirect gas fired forced convection heaters have an output range from approximately 29.3 kW to 381.0 kW and are available in a configuration that will allow for down flow, horizontal, floor mounting, or above ground level on purpose built steel supports.

The units can suit either ducted applications,

or be used as free blowing units, but each heater must be connected to its own individual open flue.

Each heater is fitted with a forced draught burner which has been test fired and pre-set prior to despatch. The safety functions of the burner are by way of a fully sequential control box fitted to the burner.

Note

Neither asbestos nor soft soldered joints are used in the construction or manufacture of the Benson range of Cabinet Heaters. The materials selected for use can withstand the mechanical, chemical, and thermal stresses which they will be subject to during foreseen normal use when installed in accordance with the manufacturers recommendations.

1.3 General requirements

Caution

Before installation, check that the local distribution conditions, nature of gas and pressure, and the current state adjustment of the appliance are compatible.

Installation, commissioning, and servicing must only be carried out by appropriately qualified and competent persons.

Warning

Unauthorised modifications to the appliance, or departure from the manufacturers guidance on intended use, or, installation contrary to the manufacturers recommendations may constitute a hazard.

Note

To ignore the warning and caution notices, and to ignore the advice from the manufacturer on installation, commissioning, servicing, or use, will jeopardise any applicable warranty, moreover, such a situation could also compromise the safe and efficient running of the appliance itself, and thereby constitute a hazard.

The installation of the appliance must meet all the relevant European, national, and local criteria. (See sections 3 and 9).
Prior to installation the following points should be considered;

- a) The position of the heater for the optimum efficient distribution and circulation of warm air
- b) The position of the heater relative to the route of the flue
- c) The position of the heater relative to the supply of gas
- d) The position of the heater relative to the electrical services, and if appropriate, any additional controls.
- e) The position of the heater relative to the supply of fresh air
- f) The height if applicable at which the heater is to be mounted and potential stratification / circulation problems.
- g) The position of the heater relative to service and maintenance requirements

Caution

The heater must not be installed within an area where the conditions are unsuitable, e. g. where the atmosphere is highly corrosive, has a high degree of salinity, or where high wind velocities may affect burner operation. Suitable protection should be provided for the appliance when it is located in a position where it may be susceptible to external mechanical damage from; for example, fork lift trucks, overhead cranes etc.

1.4 Delivery and pre-installation checks

The heater is supplied wrapped in heavy duty protective polythene. On receipt of the heater, the following checks should be carried out;

- a) The model is as per order
- b) That it is undamaged
- c) That it is suitable for the fuel supply
- d) That it is suitable for the electrical supply

If any of these points are not satisfied then contact should be made with the Sales Office at Benson Heating as soon as possible by telephoning 01547-528534. In the case of claims for damage, this must be signed for as damaged and reported in writing within 24 hours of delivery, in order to comply with

insurance criteria

1.5 Warranty

The heater is supplied with a 2 year warranty made up as follows; first year covering parts and labour, and second year covering parts only. In addition to this there is also a 10 year time related warranty on the combustion chamber/heat exchanger. The warranty commences from the date of despatch from the manufacturer, and is subject to the terms detailed within the Benson Heating 'conditions of business'.

Note (i)

The warranty may be invalidated if -

- a) The warranty registration/commissioning card has not been completed and returned to Benson Heating
- b) The installation is not in accordance with the general requirements of this manual
- c) The flue arrangement and air supply for the heater are not in accordance with the manufacturers recommendations, codes of practice, or similar standards
- d) Air flow through the heater is not in accordance with the manufacturers technical specifications
- e) Internal wiring on the heater has been tampered with or unauthorised service/repairs undertaken
- f) The main electrical supply input to the heater has been interrupted during the heating mode
- g) The heater has been subject to and affected by the ingress of water in any form
- h) The heater is not operated at the rating(s) laid down in the manufacturers technical specifications
- i) The heater has not been operated or used within the normal scope of its intended application

j) The manufacturer's recommended minimum service requirements have not been complied with

Note (ii)

All warranty claims must contain the following information to enable processing to take place;

- (1) Heater model
- (2) Heater serial number
- (3) Order reference/date of order, together with full installation details (name and address)
- (4) Details or symptoms of fault
- (5) Installers name and address.

Faulty parts must be returned to the Knighton Spares Department, the address of which is provided in **Section 2** of this manual. Any such parts will undergo inspection to verify the claim. Replacement parts supplied prior to this may be charged, and a credit supplied upon subsequent validation of the warranty claim.

Consumable items are specifically not included within the scope of the warranty.

Note (iii)

Notification is required immediately a fault is suspected.

The manufacturer will not accept responsibility for any additional damage that has been caused, expense incurred, or consequential loss resulting from any failure of the heater(s).

2.0 Location /positioning

Warning

All of the basic criteria must be satisfied prior to commencing installation and commissioning, additionally, the Cabinet Heater must be positioned and installed so as to comply with all the relevant standards and guide lines (**see section 9.0**), as well as meeting national and local fire regulations and insurance criteria, especially if it is proposed that the heater is to be installed within a special risk area (e.g. proximity to where petrol engined vehicles are stored or parked, where cellulose spraying takes place, where woodworking machinery is operated, etc.).

Indirect fired heaters must not be located in hazardous areas, however, it is permissible for the heater to supply air to such areas.

The heater must not be installed within an environment where there is a high concentration of chlorides, fluorides, salts, or other aggressive or volatile chemicals / compounds. Nor should the heater be positioned where the burner could be adversely affected by high winds or draughts.

The location chosen for the heater must allow for the fitting of an effective flue system.

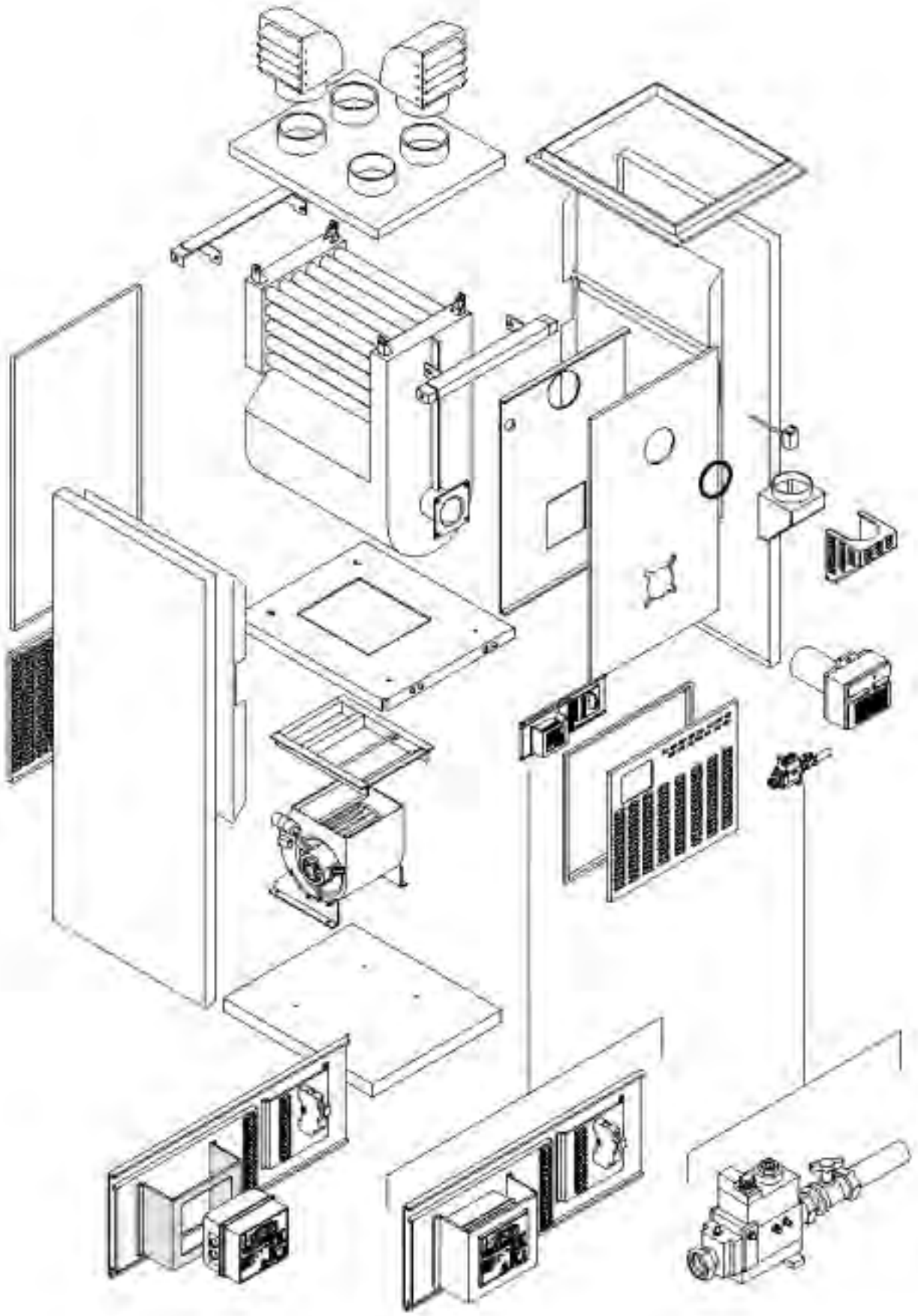
The location must also allow for adequate clearance for the air supply, return air circulation, oil supply, electrical supply, whilst also providing good and safe working access. The heater must be installed on a flat and level surface made from non-combustible material, which is sufficiently robust to withstand the weight of the heater and any ancillary equipment. Any combustible material adjacent to the heater or flue system must be so placed or shielded so that its surface temperature does not exceed 65oC.

In areas where it is proposed that more than one heater is to be installed, a general scheme of circulation should be drawn up and maintained, thereby offering the best heat distribution.

All Benson Heaters are fitted with a pressure relief facility, this is incorporated into the design of the flue gas exit duct. Care should therefore be taken in siting service connections and controls well away from the pressure relief vent.

Warning

Under no circumstances must the pressure relief be restricted, blocked, or have the free exit of exhaust gas impaired or re-directed.



2.1 Gas supply - general

The Benson range of gas fired cabinet heaters are all manufactured and pre-set for use with natural gas classified under the following categories, based upon the destination of the heater I_{2H}, I_{2L}, I_{2Es}, I_{2E(R)B}, I_{2Esi},

The heater must be compatible with the gas supply, and each heater must be installed with a separate approved isolating gas cock positioned adjacent to and upstream of the union between the service pipe and the heater.

The gas supplier should have been contacted to confirm that the supply feed (pipework and metering) is capable of delivering the required dynamic volume of gas, thereby ensuring that the minimum burner pressure can be achieved. Consideration should have also been given to the pressure drop on single and multiple heater installations, and the affect that such installations will have upon other plant sharing the gas supply.

If it is necessary to fit a gas booster, the controls must include a low pressure cut-off switch which must be fitted on the supply side of the booster. It is also a requirement that the gas supplier is contacted prior to the fitting of the unit.

Note

Reference to the Institute of Gas Engineers publication UP-1 and UP-2 together with BS6891 is strongly advised.

Service and Installation pipework must be of a diameter equal to or greater than the inlet connection on the heater, all joints must be sealed using an approved sealing compound, and the system purged and tested for soundness.

2.2 Electrical supply

Wiring external to the cabinet heater must be installed in accordance with any local, national, and European regulations, as well as meeting the appropriate requirements of IEE regulations.

The means of connection to the main electrical supply must allow for complete

electrical isolation of the heater, furthermore, in the case of a unit wired for a three phase supply, the supply should only be used to serve the heater itself and no other plant or equipment.

The position of the isolation switch must be such that it is adjacent to the heater and easily accessible at all times. In addition, the isolator itself must have a contact separation of not less than 3mm as per BS5991 clause 20.2.

The Control Fuse ratings are detailed on the appliance data plate.

Warning Ensure that the electric and gas supplies are turned off before any electrical work is carried out on the heater. Ensure that wiring cannot make contact with any surfaces liable to be subject to high temperatures or where the insulation of the wiring could be impaired as a result of such contact.

All Cabinet Heaters must be earthed.

Caution

The main electrical supply must not be switched off or disconnected as a method for stopping the heater, the exception to this is in an emergency, or during servicing, when the heat exchanger has been allowed to cool sufficiently to prevent any damage from occurring. Claims for damage will not be considered if they have resulted from incorrect wiring or the incorrect use of the heater.

2.3 Air supply

Consideration must be given to the provision of air for the purposes of combustion and ventilation of the heated space, plant room or enclosure where heaters are to be installed

Note

It is strongly recommended that BS 6230 : 2005 is referred to for further information concerning ventilation requirements. Where mechanical ventilation is used it is a requirement that the inlet is of the mechanical type, and the outlet is either mechanical or natural.

2.3.1 Heaters installed within the heated space

Where heaters are installed within the space to be heated (i.e. not a plant room or enclosure

Combustion air or heater related ventilation air

Will not be required if

The design air change rate of the heated space is 0.5 air changes per hour or greater
The design air change rate may be satisfied by natural infiltration or by mechanical ventilation

Combustion and General ventilation

will be required if

The design air change rate of the heated space is less than 0.5 air changes per hour

Where the heated space has an air change rate of less than 0.5 air changes per hour then it will be necessary to provide **either** natural ventilation openings to the heated space (section 2.3.1.1. refers) **or** the mechanical ventilation of the heated space (section 2.3.1.2. refers)

2.3.1.1 Natural Ventilation Openings to the Heated Space

If the heated space design air change rate is less than 0.5 air changes per hour then provision for low level natural ventilation openings will only be necessary

The minimum free area of the low level natural ventilation opening shall be

- 2cm² for each kW of rated heat input

The low level natural ventilation opening should be situated on an external wall and be within 1000 mm of floor level for natural gas and ideally at floor level for l.p.g gas installations but in any event no higher than 250 mm.

The table in the next column provides specific data for each heater model as

MODEL	Minimum Free Area of ventilation opening
	120
	220
	370
	560
	770
	1020

2.3.1.2 Mechanical Ventilation to the Heated Space

In the event that the heated space has a design air change of less than 0.5 air changes per hour and that installer prefers to mechanically ventilate the heated space rather than provide ventilation openings then -

- The heated space needs to be mechanically ventilated so that the design air change is 0.5 air changes or greater.
- It is a requirement that the mechanical ventilation shall be of the 'input' type with either natural or mechanical extraction.
- Systems of mechanical extraction with a natural inlet shall not be used
- It is necessary to provide an automatic means to safely inhibit heater(s) operation should mechanical air supply fail for any reason

Where the combustion air intake **is not ducted to atmosphere** heater installed in flue only configuration then ventilation can be via a permanent ventilation opening / grille situated at both Low level (Inlet) and high Level (Outlet) and with the free area of such grilles as :-

Low level (Inlet)

For heaters with a rated input of less than 60 kW — 9.0 cm² per kW of heat input

For heaters with a rated input of more than 60 kW — 540 cm² plus for each kW of rated input over the 60 kW threshold an additional 4.5 cm²

High Level (Outlet)

For heaters with a rated input of less than 60 kW — 4.5 cm² per kW of heat input

For heaters with a rated input of more than 60 kW — 270 cm² plus for each kW of rated input over the 60 kW threshold an additional 2.25 cm²

Alternatively mechanical input (not extract) ventilation may be used in association with either mechanical or natural extract , and with a ventilation flow rate of 3.24m³/h per kW of total rated input

Where mechanical extract is used to complement the above then the extract rate shall be 2.06m³/h per kW of rated heat input

Mechanical ventilation systems where fitted must be provided with safety interlocks to prevent heater operation in case of air flow failure

2.4.3 Ventilation openings and Grilles

Ventilation openings and grilles must communicate directly with the outside air, be of negligible resistance and shall be sited so that they cannot easily be blocked or flooded

2.5 Air distribution system

All materials used within the construction of the delivery and return air ducts must not represent a fire hazard and should be made from thermally inert materials. The selection of materials must take account of the environment into which the heater and its air delivery system is expected to work, it must also take account of the stresses and loadings placed upon it during its normal working life Where interjoist spaces are used to route ducting these must be lined with fire resistant insulation material.

In installations where forced recirculation is a feature, a full and unobstructed return air path to the heater(s) must be provided, with return air grilles connected by ducting directly to the return air inlet on the heater. The limit for recirculation should not be greater than 85% recirculated air to 15% fresh air.

Where the heater is installed within a compartment or plant room the return air and discharge air arrangement must be such that the air circulation fan does not interfere with the operation of the flue.

The return air intake and warm air outlet should therefore be fully ducted to and from the heater, respectively, within the compartment or plant room.

If the inlet air is ducted to the outside, then the lowest edge of the inlet air duct must be at least 500 mm above the outside floor or ground level, it must also be fitted with an access point (s) to allow for cleaning and servicing to occur. The openings in the structure of the plant room, through which the ductwork passes must be of fire resistant material and constructed to prevent the likelihood of any fire from spreading.

In ducted applications the ductwork must be designed so as to give a static pressure within the limits stated in section 8 of this manual. It should be noted that if the static pressure is too high, nuisance shut-down will occur when the heater goes out on the overheat limit thermostat, if the static pressure is too low, then damage can be caused to the fan motor.

Warm air outlets on ducted applications must be such that they cannot be closed or become blocked, which again would lead to an increase in static pressure and nuisance shutdown.

The outlets must not be sited so that warm air can be discharged onto combustible materials, if necessary, guard rails should be used to ensure that effected areas are kept clear. Return air intakes must not be located so that potentially harmful or hazardous contaminated air can be drawn into the system.

2.6 Flue system

It is essential that the products of combustion are flued to the outside of the building. Each heater must have its own separate flue, with a flue diameter of not less than is detailed in section 8 within this manual.

the minimum vertical length of flue must not be less than 3m. The flue should rise vertically, and the number of bends should be kept to a minimum.

Flue pipe should be supported at intervals not exceeding 1.8mtrs

Flue pipes below a height of 2 m should be guarded against the possibility of being accidentally touched when hot by personnel

It is strongly advised that BS 5854; 1980, and BS 5440; parts 1 and 2, are used as consultative documents when considering flue requirements.

Care should be taken to ensure that the flue terminal is not situated in a high pressure area, the proximity of buildings and other obstacles which will influence this must be taken into account, preferably at the design stage. See figures 2-12.

Provision must be made for the disconnection of the flue for inspection and service requirements, and it is strongly advised that where bends are fitted inspection covers are included. The materials from which the flue is constructed must be non-combustible, resistant to internal and external corrosion, and be capable of withstanding the stresses and loadings associated with normal use.

When designing the flue system the prevention of the formation and entrapment of condensation must be a key consideration. Twin wall or insulated systems are recommended as they tend to inhibit the formation of condensates.

Where condensation is unavoidable traps should be included to encourage the condensates to flow freely to a point from which they may be released, preferably into a gully. The condensate pipe from the flue to the disposal point must be made from corrosion resistant pipe of not less than 25 mm internal diameter.

If the flue passes through a wall, ceiling, or roof made from combustible material then it has to be sleeved so as to provide a minimum of a 25 mm void between the exterior of the flue and the internal wall of the sleeve. The maximum permitted temperature of any adjacent combustible material is 65°C.

The position of the flue and its terminal should be such that it does not impair the combustion process.

It should terminate in an exposed position so as to allow the escape and dissipation of flue gases without risk of their re-entering the property through windows, ventilation ports, etc.,.

The flue should extend to at least 1m above the height of any object within 3,5m of the terminal.

Flue terminals should be fitted on all flues with a diameter of 200 mm or less. The terminal must be of the approved type, and have outlet grilles on all sides giving a total free area of at least double that of the flue.

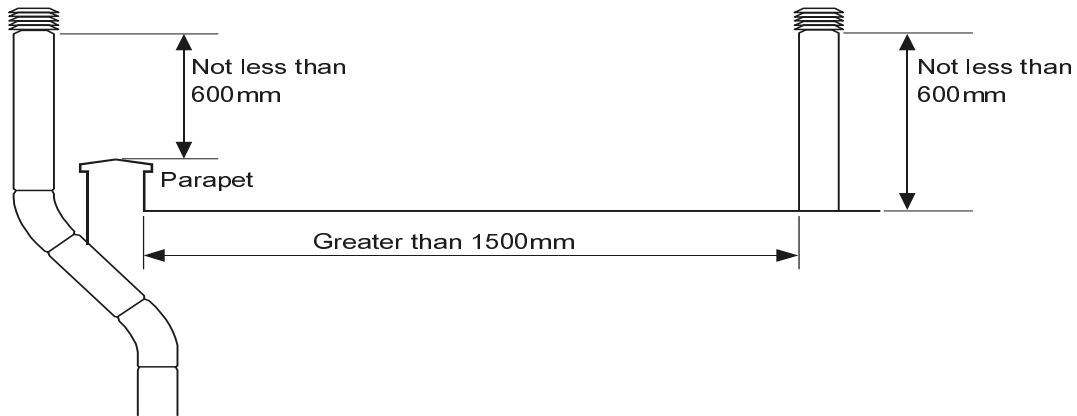
Caution

It is imperative that the flue should be properly sealed where it passes through the roof, this can best be achieved by using the

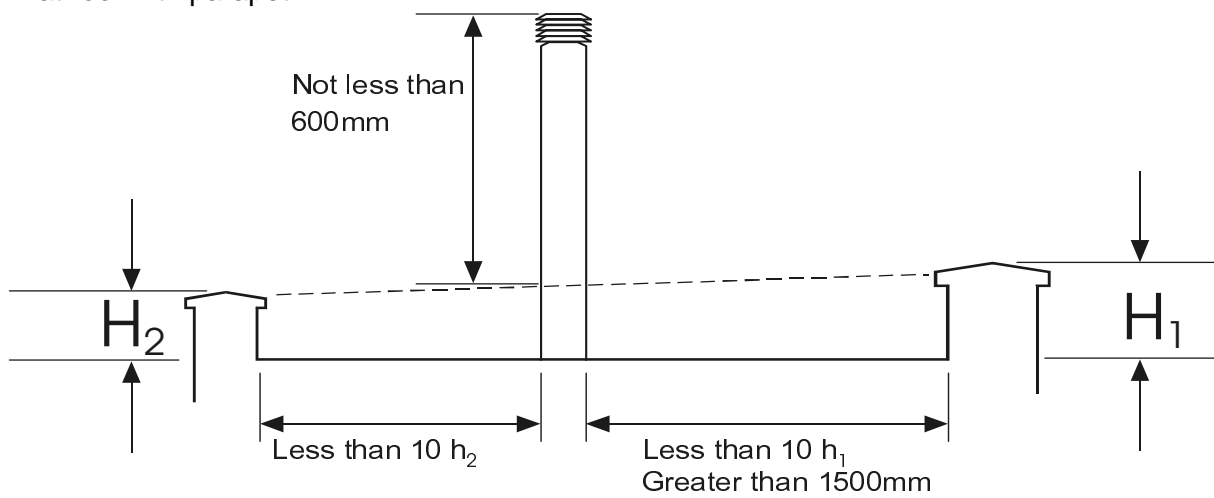
approved method of roof flashing plate and cravat.

Note

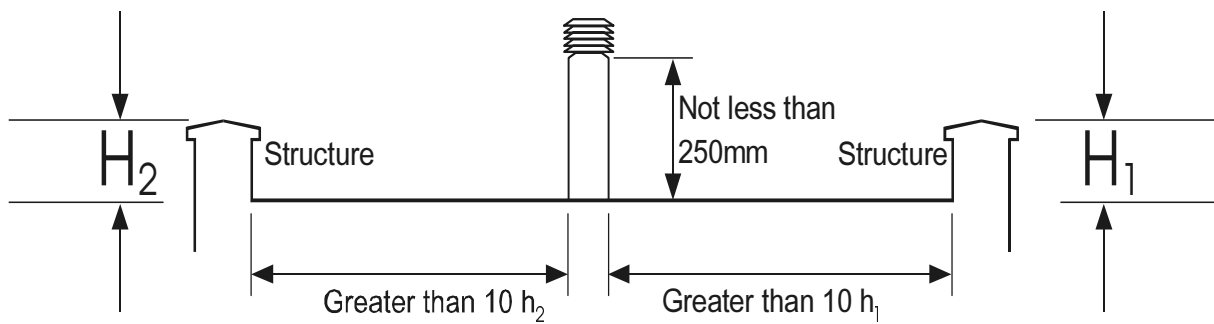
It should be noted that claims made under warranty and attributed to the ingress of water may not be considered especially if an approved method of sealing has not been used, or if the design of the flue has not made provision for possible condensation problems.



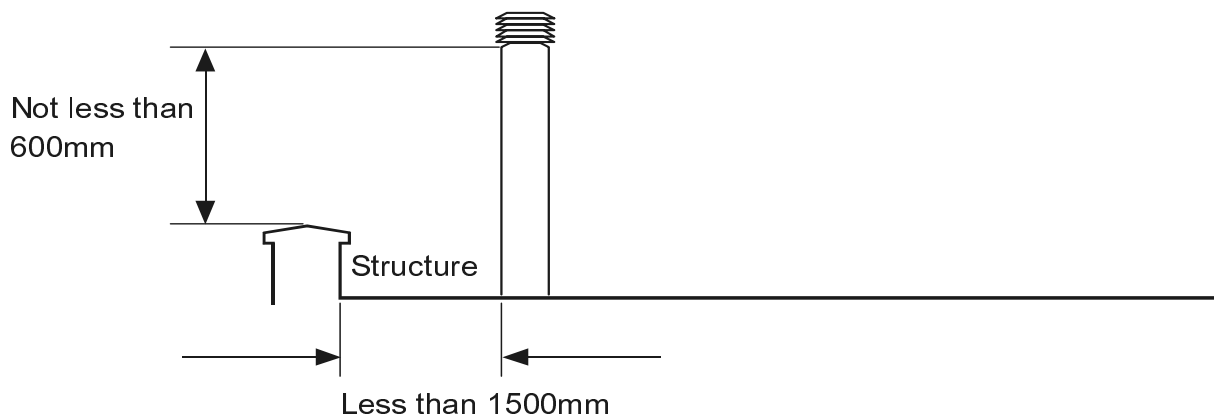
Flat roof with parapet



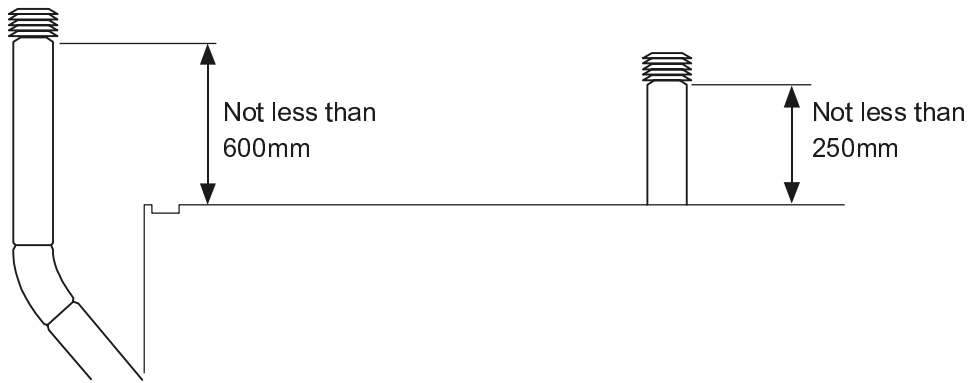
Flat roof envelope method



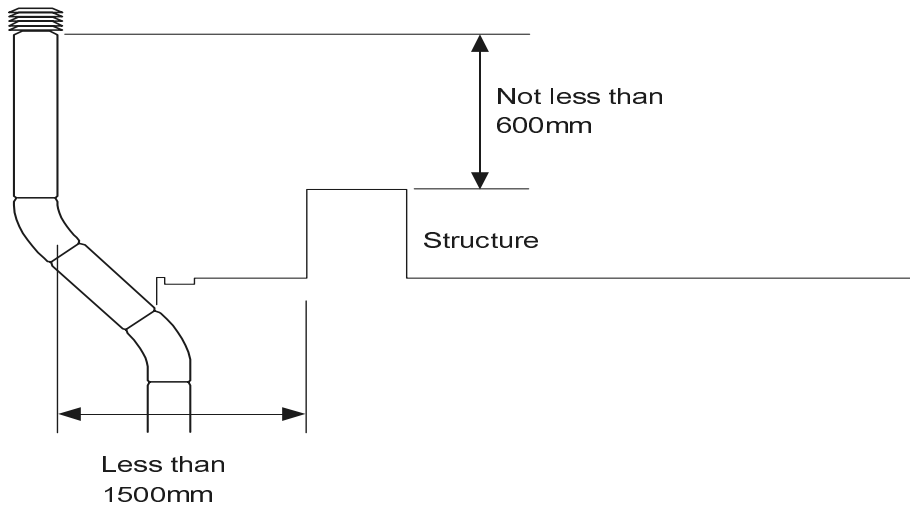
Flat roof where the flue height is more than 10 Heights (H) away from all structures



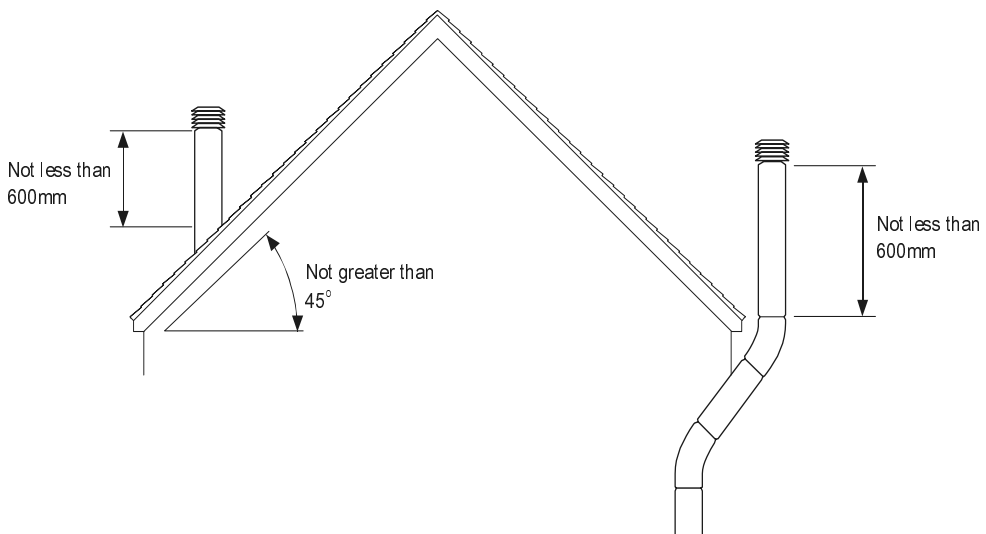
Flat roof with flue close to parapet



Flat roof with no parapet



Flat roof with structure close to flue outlet



Pitched roof not greater than 45°

2.4 Minimum space requirements

The minimum space requirements for single and multiple heater applications are detailed in section 3.3 later within this manual.

2.7 Flue Installation

An integral flue spigot is fitted to all Cabinet Heaters thereby allowing the flue to connect directly to the heater. The design of the flue must ensure that it can be disconnected to allow for cleaning and servicing, furthermore, all of the flue section joint sockets must face upwards, and the seal between the sections achieved through mechanical joints or through the use of approved caulking string and grout. It is strongly advised that BS 5854 and BS 5440 parts 1 and 2 are referred to, see also figs 2-12.

Where condensation is likely to be a problem provision should be made preferably at the design stage (see section 2.5).

3.0 Installation

It is strongly advised that the installer reads Section 2 and Section 3 of this manual prior to starting any installation work. It is a requirement that only qualified and competent personnel may undertake installation, commissioning, and servicing.

Warning

Always ensure that the appropriate personal protective equipment is used.

3.1 Packaging/siting

The heater will usually be supplied wrapped in heavy gauge polythene, non assembled parts will be supplied separately. Prior to installation, the assembly of the heater should be completed, it is advisable that this is undertaken in the area where the heater is scheduled to be sited.

Caution

It is strongly advised that when positioning the heater the lifting eyes are used, thereby reducing the risk of inadvertent damage being occasioned to the heater.

3.2 Flooring

The heater must be installed on a level non combustible surface capable of supporting the weight of the heater and any ancillary equipment.

3.3 Minimum clearances

The following minimum clearances (in millimeters) must be observed when installing the heater.

Model Size	Front	Rear	Lhs	Rhs
120	500	1,000	150	150
220	600	1,200	150	150
370	600	1,500	150	150
560	900	1,500	150	150
770	900	2,000	400	400
1020	900	2,000	500	500

3.4 Assembly

The following sub-assembly parts should be assembled to allow installation to continue.

(a) Vertical Nozzled Models

For free blowing applications it will be necessary to complete the final assembly before continuing with the installation. The bonnet top with nozzle spigots should be attached to the heater and secured. The nozzles should then be pushed home on the spigots and positioned to provide the desired airflow.

Ensure louvres are adjusted outwards and ensure blades are not resonating

The nozzles should be securely fixed in their desired position on completion of commissioning.

(b) Horizontal Nozzled Models

Remove packaging and secure the 90° Duct Outlet to the outlet on the heater using the bolts supplied.

Secure the nozzle spigot plate to the duct outlet using the bolts and prevailing torque nuts provided. Fit the securing brackets to each of the outlet nozzles, and lift the complete heater assembly and position on the pre-sited purpose built supports. Finish off the assembly by fitting and securing the outlet nozzles to the spigots by way of previously fitted brackets.

3.5 Gas Installation/Connection

Service pipework must terminate at an approved gas cock, and be adjacent to the position of the heater.

The connection to the heater can be made by way of either an approved flexible coupling, or rigid connection. Threaded connections must comply with ISO288/1 of ISO 7/1, further information concerning the accepted practice in European countries is detailed in the June 1995 version of prEN 1020 annex A7 The diameter of the pipework from the cock to the burner connection must not be less than the diameter of the burner connection inlet. (see section 8)
The installation must be purged and tested for soundness prior to commissioning.

Always ensure that the appropriate personal protective equipment is used.

3.6 Electrical Installation/Connection

Benson cabinet heaters are available either for 415V 50Hz 3PH or 230V 50Hz 1PH supplies depending upon the model specified.

It is recommended that reference is made to the wiring diagrams contained within section 7 of this manual prior to installation or connection to the supply.

The electrical supply must be as specified and suitable for the heater, and must be run within conduit to a point adjacent to the heater, and be terminated to provide an isolation point that will prevent remote or inadvertent activation. Cables, conduit, and fittings that are used to make the connection between the isolator and the heater must conform to the appropriate IEE regulations.

All heaters are supplied fused and pre-wired, all must be earthed.

Final connections for any additional external controls must be completed on site, and must be carried out according to IEE regulations. Separate user information is provided for the time control unit and the burner, and forms part of the product information pack which accompanies every heater when despatched.

Warning

Always isolate from mains electrical supply before commencing work on the heater.
Always ensure that the appropriate personal protective equipment is used.

3.7 Air Distribution Installation

The materials selected must be of low heat capacity, and it is preferable that all warm air ductwork is thermally insulated.

Where ducting may be subject to deterioration from exposure to moisture or high humidity material selection and insulation are prime considerations. Joints and seams must be airtight and fastened securely and designed to remain so, even when operating at high temperatures. Adequate support must be designed into the layout of the ductwork to ensure that the integrity of the seams and joints is maintained.

The support must be independent and separate from the heater and the ducting, to allow for free movement during expansion and contraction.

Where ducting passes through walls or partitions sufficient clearance must be left, irrespective of any fire stop requirement, to allow for expansion and contraction Failure to adhere to these latter two points can result in the generation and transmission of excess noise.

Where ducting is installed in concrete flooring a permanent membrane must be used to isolate the ducting from the corrosive effect of the alkaline salts within the concrete. Care should be taken to ensure that soft insulation material does not become compressed and thereby lose its effectiveness.

3.8 Warm Air Registers

In order that vertical temperature gradients are minimal thereby providing a more even heat distribution, it is preferable to install warm air registers at low wall levels or at floor level, with the size, number, and position commensurate with the requirement of the application.

To minimise noise levels the registers should be set away from corners, additionally, a good seal between the register frame and the wall is important, particularly on high level positions, if unsightly staining through warm air/ particulate deposition is to be avoided.

3.9 Heater Control Installation

Warning

Isolate heater from mains before undertaking any electrical work.

All Cabinet Heaters from are manufactured and supplied with a CP4 Optimised Control as standard .

Set CP4 Control as per Basic Setting Guide Instruction Sheet Supplied

The controls are located on a removable panel which when separated from the heater can be re-positioned so as to offer a remote facility.

However, to facilitate this, it is necessary to order and fit an electrical panel cover and front panel blanking plate to the heater in place of the control unit.

The controls for Horizontal Cabinets are supplied as remote option.

4.0 Commissioning

It is a requirement that only suitably qualified and competent personnel are allowed to undertake the commissioning of the heater.

It is also strongly recommended that prior to commissioning the engineer familiarises himself with; the information contained within the information pack that accompanies the heater, the heater itself, and with the specific requirements of the installation /application.

Warning

All Cabinet Heaters undergo a rigorous test programme prior to being despatched, whilst such a programme does involve pre-commissioning and setting up the heater to operate efficiently and well within its designed operational limits, this does not

mean that on site commissioning is less important than might otherwise be the case.

Note

It is strongly recommended that equipment used for the sampling and analysis of flue gases is accurate to within +/- 0.1% and maintained so that it is regularly calibrated.

4.1 Commissioning - Pretest

Check to ensure electrical safety, and inspect and check the installation, testing for leaks.

(a) Ensure that the electrical supply is turned off.

(b) Ensure that the gas supply is turned off.

(c) Check that all panels and fasteners are secure and in place.

(d) Check that the heater is installed so that it is square and that the support is adequate.

(e) Ensure that warm air delivery outlets are open and that ducting is adequately supported.

(f) Ensure that if filter assemblies are fitted that they are secure and correctly located.

(g) Check that air inlets are clear and that return air paths are adequate.

(h) Ensure that the flue is secure, adequately supported, and that the various joints are properly sealed.

(i) Check that condensate trap and drain facilities are adequate.

(j) Check that there is provision for flue gas sampling and that this sample point can be plugged and sealed after commissioning.

(k) Check that fan and limit stat settings have not been disturbed and are as follows

120/560		770/1020 Range	
Fan on	- 60oC	Fan on	- 50°C
Overheat limit	-100oC	Overheat limit	-100°C
Fan off	- 30oC	Fan off	- 30°C

Also check that the white button (automatic) is pulled outward and that the red button

(reset) is pushed inwards to the reset position. See fig 15.

(l) Remove lower panel and check motor and fan drive system for integrity of joints, check pulley alignment, fan rotation, and belt tension (see section 5.2 and figs 17 and 18).

(m) Ensure that the burner is securely attached to the heater.

(n) Test for electrical earth continuity between the heater, oil pipe work, and mains supply.

CP4 Control
Press FAN /Enter
The fan will start enabling fan direction etc to be verified. Reset on/standby switch to standby position

(p) Turn mains electrical supply to off, replace and secure lower louvered panel covering fan and motor assembly.

(q) Set controls to demand settings

4.2 Commissioning - Ignition

Warning

Do not proceed with commissioning unless all the criteria detailed within sections 4.0 and 4.1 have been satisfied.

(a) Ensure that the electrical supply is turned off.

(b) Ensure that the gas supply is turned off.

(c) Select the following switch settings on the heater

(d) Turn on main electrical supply.

(e) Prog 0000 Enter 1TEMP key in an operating temp and Enter
Press RUN 3 times to return to main screen
Press OVER button Select 1 OVERRIDE then select 1 and key in 01 hour override this will allow enough time to commission the heater safely

(f) Check for the following burner sequence

Interval	Operand
1 <5s	Combustion air damper actuated, burner fan motor initiates purge cycle...
2 <40s	Pilot valve opens ignition transformer provides spark for pilot ignition...
----- E I T H E R -----	
3 >40s	Ignition failure caused by gas starvation resulting in burner lock-out/shut-down...

(h) Clear burner lockout using burner reset function.

(i) Set heater on/standby switch to standby position

(j) Open gas supply cocks Repeat steps 4.2 c,e,f.

----- O R -----

3 >40s Pilot ignition... Burner ignition...

4 <60s Burner ignition cycle complete

Note

It is strongly recommended that the separate manual concerning the operational details of the burner supplied with the heater as part of the information package is studied prior to commissioning.

Time intervals within the ignition sequence will vary slightly from one model to another.

Warning

If burner ignition is not satisfactorily accomplished, commissioning must not proceed until the reason or fault has been identified and rectified, if necessary by reference to the separate burner information or to section 6 of this manual.

(j) Repeat steps 4.2

(k) Re-check all connections and joints for gas soundness using an approved leak detection fluid.

(l) Remove burner cover and attach manometers to check burner pressure settings.

(m) Repeat steps 4.2 d,e,f, allowing the

heater to reach thermal equilibrium.

(n) Check burner pressure settings are in line with the data as per section 8.1 (if adjustment is necessary refer to separate burner information within section B)

Note (i)

The figures quoted in section B are independent test figures based upon zero flue resistance.

(o) Adjust room thermostat to its highest setting, and allow the heater to continue to fire.

(p) Gradually reduce the temperature setting on the room thermostat until the burner shuts down, (@ < ambient) and then gradually increase the temperature setting on the thermostat until heat is called for, (@ > ambient) and the burner automatically re-fires.

(q) Re-set time clock to a minimum off period, checking that the burner shuts down, and then automatically re-lights once the minimum off period has elapsed (Separate information on the time clock is contained within the information package supplied with the heater).

(r) Check fan and limit stat by depressing and holding in the fan motor overload re-set button, located on the heater electrical panel. The time between the fan stopping and burner shut down should be noted, once the burner has shut down the overload on the motor should be released.

If the time interval between fan stop and burner shut down is greater than 90 seconds further checks should be made.

These are as follows:

(i) Check settings on fan and limit stat are correct, ie, fan on 60oC, fan off 30oC, limit 100oC.

On completion delete any override settings on optimised control and return temperature settings to customer requirements

(ii) Check that the position of the unit is correct, ie, equi-distant between heat exchanger body and heat shield panel.

(iii) Check integrity of unit, ensuring that neither the bi-metallic strip nor its casing is damaged.

(s) Undertake flue gas analysis using approved and calibrated analysing equipment recording data on the commissioning card, ie, CO, CO₂, net and gross flue temperatures. Record mains gas, and burner head pressure, ambient temperature, barometric pressure, and complete percentage efficiency calculation using the formula detailed in section 8.

Note (ii)

The burner air and gas pressure settings should be only very finely adjusted to achieve a CO₂ reading of 9.3% (+/- 0.1%).

Note (iii)

The net efficiency must not be lower than 79% for heaters fitted with a modulating or hi / lo burner.

In other cases the net efficiency level must not be lower than 84%

Note (iv)

All Cabinet Heaters are test fired and pre-commissioned as part of the manufacturing process, if however, during on site commissioning the data are found to be not in accordance with the manufacturers data, then the following action is recommended.

- * Re-check all readings and calculations.
- * Adjust burner as per manufacturers instructions.

- * Consult Benson Heating Technical Department.

(t) Complete commissioning card and provide operating instructions for the user, high-light the fact that the manufacturer recommends that in the interests of safety and efficiency the heater is serviced on a regular basis only by qualified and competent persons.

The completed commissioning card must be returned to Benson Heating Service Department immediately after the satisfactory completion of commissioning, failure to do so can invalidate any subsequent warranty claim.

(u) Set all controls to the requirements of the

user.

4.3 Commissioning - air delivery system

On free blowing applications the integrity of the fastenings on the heater top and outlet nozzles must be checked .

Final adjustment for the direction of the air flow from the nozzle hoods should be made.

Ensure louvres are adjusted outwards and ensure blades are not resonating and the hoods should be secured in the required position by drilling through the two holes provided in the hood outer ring and fastened in place using self tapping screws .

Caution

On ducted applications it is necessary that the system is balanced in order to optimise the efficiency of the heater and the air distribution and delivery system. Failure to balance the system can result in fan motor overloading and premature component failure, it can also result in an inefficient heating/ventilation system.

(a) Check that the amount of fan produced air volume is in accordance with the heater specification, if the volume is too great the fan can be overloaded. Ensure that the running current is as per that stated on the heater data plate. Alternatively, the static pressure should be measured at the start of the ductwork to confirm that it is within the permissible tolerance.

(b) If the current drawn is greater than the stated running current, in most probability this will be caused by insufficient static pressure within the ductwork, in which case system resistance should be increased through the introduction of a damper placed as close to the start of the ductwork as possible, thereby resulting in a reduction in drawn current. The damper should be adjusted until the current is in accordance with that stated on the data plate.

(c) If the current drawn is too low the duct outlet grilles will require opening to reduce static pressure and increase air volume, if this is not the case overheat cut outs can be caused.

On Completion of commissioning the fan belts should checked for the correct tension

For setting information

See Fan belt section page 23

4.4 Commissioning - hand over

(a) Upon full and satisfactory completion of commissioning, a record of commissioning information (contact, date, etc) should be left with the heater, a copy of which must also be forwarded to Benson Heating Service Dept.

(b) The commissioning engineer must ensure that the user is familiar with the safe and efficient use of the heater, detailing the function of all controls and main components.

(c) The user should be made aware of the following in particular

(i) Lighting, shutdown, and operational information.

(ii) Safety features, data plate, and labeling.

(iii) The requirement for regular inspection - especially if the heater is within a more demanding environment - and the need for regular servicing carried out by competent and qualified persons.

(d) Section 2 'User Instructions' should be left with the customer upon satisfactory completion of the commissioning and hand-over.

Caution

After approximately 100 hours of running, the tension of the fan belts must be checked to ensure that they are correct and that they have not stretched. See section 5.2 for further instructions

5.0 Servicing

Warning

Servicing must be carried out on a regular basis, the maximum interval between services being 1 year. It is a requirement that only suitably qualified and competent persons are allowed to undertake servicing.

Before any maintenance or servicing work is carried out the heater must be shut down and allowed to cool, and have the gas and electric supplies to it turned off at the gas cock and isolator respectively.

Caution

Certain component parts are factory sealed and are designed so as to be tamper proof. Usually such items do not require servicing, and therefore should not be tampered with. Failure to comply with this can invalidate any warranty, and can also lead to premature failure.

The following parts fall within this category: room thermostat, time clock, frost thermostat, sequential controller, and fan and motor.

Additionally, the fan and limit stat has been factory set, and must not be re-set without formal consent from the manufacturer.

Reference should be made to the separate information covering the operational details of the burner and timer.

Only approved spare/replacement parts can be fitted, failure to comply with this can compromise the safe and efficient running of the heater, and can also invalidate any warranty claim.

5.1 Planned Servicing

In order to maintain the efficient operation of the heater it is recommended that the following planned servicing and preventative maintenance programme is adopted by the user.

Quarterly Inspection

- (a) Visual inspection of the burner
- (b) Clean and check ionisation probes
- (c) Check overheat safety is operational

Bi-Annual Inspection

- (a) As per quarterly inspection, plus...
- (b) Combustion check

Annual Inspection

- (a) As per half year inspection, plus.
- (b) Heat exchanger and cleaning
- (c) Electrical connections
- (d) Main fan motor
- (e) Main fan assembly
- (f) Pulleys
- (g) Fan belts
- (h) Gas supply
- (i) Burner
- (j) Air delivery system
- (k) Flue
- (l) Report

5.2 Servicing Procedure - Major Component Parts

Flue

A visual inspection should be carried out to ensure that the flue remains adequately supported, both internally as well as externally, and that the various joints are effectively sealed.

Inspection covers, where fitted, should be removed and the flue checked to see whether cleaning is required. If inspection covers are not fitted the flue gas exit duct and flue spigot will provide not only an indication of the cleanliness of the flue, but will also enable access for cleaning. The presence of the flue terminal should be checked. If a condensate trap and drain facility is fitted this should be checked to ensure that it continues to function correctly, and the drainage of condensates is not impaired.

Main Fan Motor

Remove access panel, dust and other foreign matter should be cleaned by blowing over with compressed air and through the use of a soft bristle brush and cloth. Solvent wipes may be used to remove heavy soiling from the motor casing.

Traces of surplus lubricants spreading from the bearings should also be cleaned away. Where motors are fitted with grease nipples bearings should be lubricated with the correct grade of lubricant. Motors which do not have grease nipples feature sealed bearings which are lubricated during manufacture for their life.

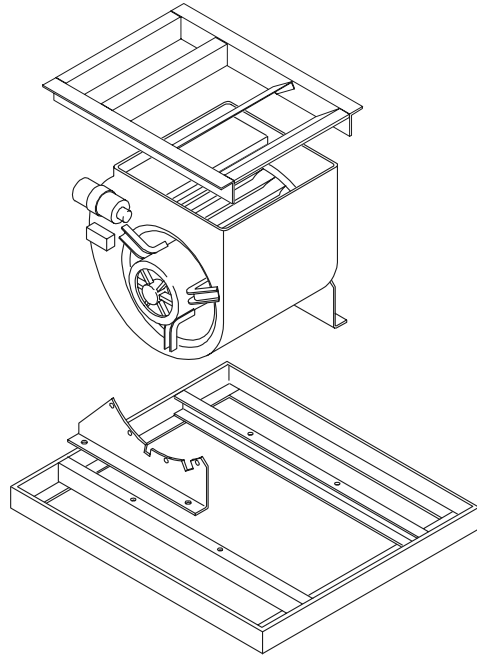
The electrical connections should be checked as follows.

The cover to the terminal box should be removed by undoing the screws which secure it.

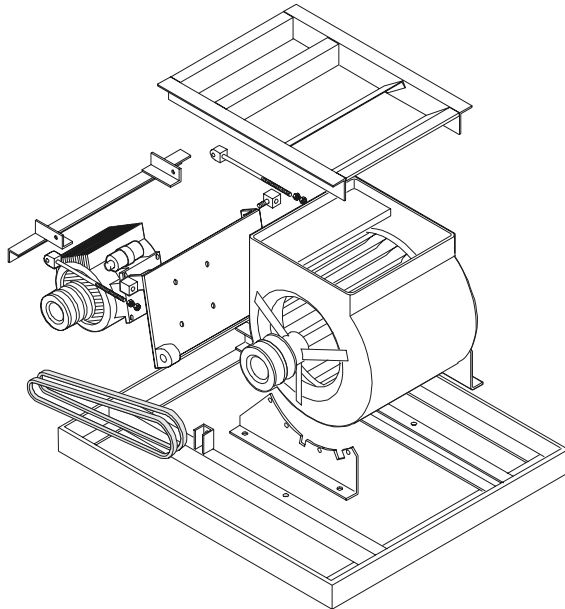
Check connections for signs of corrosion, tightness, and ensure that there are no stray strands which could form a short circuit. Clean, tighten, and replace as necessary.

Replace cover and secure

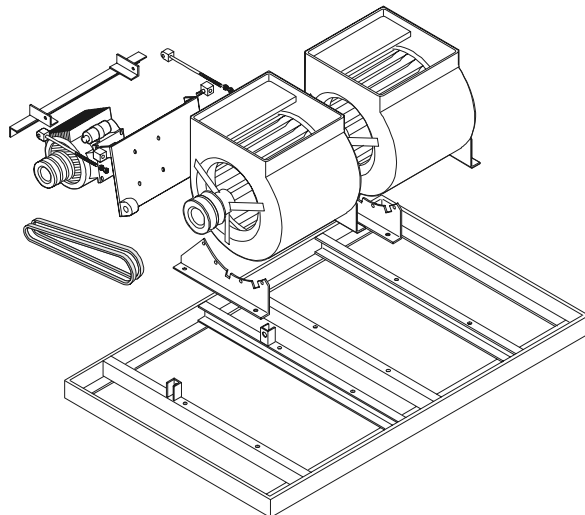
Motorised Fan
Assembly
120-220



Fan and Motor
Assembly
370-560



Fan and Motor
Assembly
770-1020



Main Fan

Remove dust and other foreign matter by blowing off with compressed air or through the use of a soft bristle brush.

Check that the bearings do not show signs of excessive wear.

It should be noted that these bearings do not require lubricating.

If the bearings require replacing the following procedure should be followed.

- (a) Remove belt(s).
- (b) Loosen setscrew on eccentric collar and tap collar in the opposite direction to fan rotation.
- (c) Remove collar and bearing.
- (d) Check shaft for alignment and straightness.
- (e) Locate the bearing in its seat and place on the shaft with the cam facing outwards.
- (f) Fit the eccentric collar and engage the cams.
- (g) Tighten initially by rotating, and then by tapping in the direction of the fan rotation.
- (h) Replace fasteners and secure.
- (i) Turn by hand to ensure free fan rotation.

Pulleys

Check pulleys for alignment using a straight edge, if necessary reposition either or both of the pulleys and the fan motor. Check for excessive wear within the root and sides of the grooves, and check for any other signs of wear or damage, if necessary replace the pulley as follows.

- (a) Release tension on belts and remove.
- (b) Release the taper locks by slackening the securing screws by several complete turns.
- (c) Fully remove one screw from the taper lock, and having oiled it, insert into the threaded jacking point.
- (d) Tighten screw until the taper lock is free.
- (e) Remove taper lock and pulley.
- (f) Fit taper lock in new pulley, and provisionally position on the shaft.
- (g) Remove the screw from the jacking point, and tighten both screws in their clamping points until the pulley can just be moved on the shaft by hand.
- (h) Align pulleys using a straight edge, and by gradual alternate tightening of the screws clamp in position.
- (i) Refit belts and check for the correct amount of tension.

Fan Belts

Check belts for signs of wear.

Frayed or split belts must be replaced using belts with a common batch code.

Belt tension must be checked, and if on multi-belt units it is found that one belt contains more slack than its accompanying belts, then all the belts on the unit must be replaced, again using a common batch code. Replacement and tensioning is carried out as follows.

Note

The maximum displacement at the mid point of the top edge of the belt must not be greater than 16mm per metre of span, when a force of 3kg is applied in a plane perpendicular to the belt.

- (a) Loosen fan motor securing bolts on chassis.
- (b) Loosen fan motor slide adjustment bolt.
- (c) Slide fan towards fan to slacken belts.
- (d) Replace belts, pull fan motor away from fan until belts are tight.
- (e) Tighten adjustment bolt to hold motor.
- (f) Tighten fan securing bolts ensuring that the fan is square and the pulleys aligned.
- (g) Check belt tension, making final adjustments as necessary.
- (h) Tighten and clamp fasteners to hold fan motor in position.

Heat Exchanger

The heat exchanger requires a visual inspection at least once per year, this should be accompanied by cleaning.

It is recommended that a flue brush and vacuum cleaner are used to facilitate this. Access to the heat exchanger is gained through the removal of the rear upper panel and heat shield.

Servicing and cleaning should be performed as follows.

- (a) Remove brass nuts and cover from heat exchanger end assembly to expose heat exchanger tubes.
- (b) Remove any accumulated deposits from the tubes by pushing through the full length with a flue brush.
- (c) The flue brush should be withdrawn so as to pull any deposits back into the bottom of the flue box where they can then be removed

by using a vacuum cleaner.

(d) Particular attention should be paid to the upper internal surfaces of the tubes, where through

convection heavier deposition is likely to occur.

(e) Any deposits which may have accumulated within the combustion chamber can be removed with a vacuum cleaner once the burner is removed.

Note

It is most important that a build up of deposits is not allowed to occur as this can have an adverse effect upon the efficiency of the heater and reduce the life of the heat exchanger.

(f) The heat exchanger and combustion chamber should be visually inspected for signs of splits, cracks, and distortion

(g) All gaskets should be checked to ensure that they continue to provide a gas tight seal, if there is an element of doubt then they should be replaced.

If the condition of the heat exchanger gives cause for concern the Service Department at Benson Heating should be advised pending a more detailed examination.

Electrical Supply

All connections must be checked to ensure that they are secure, and free from corrosion. Terminals and connections should also be checked to ensure that no stray strands are bridging terminals.

Electrical continuity should also be checked.

Gas Supply

The gas supply pipework, and fittings should all be inspected to ensure that they are free from corrosion, and to ensure that where brackets have been fitted these remain secure and offer adequate support.

The system should be soundness tested in accordance with Institute of Gas Engineers recommendations detailed in UP-1 and UP-2.

Burner

Service requirements for the burner fitted to the cabinet heater are covered in the separate manual prepared by the burner

manufacturer.

Note

It is most important that the burner is serviced regularly and in accordance with the manufacturers instructions.

Air Delivery System

A visual inspection should be undertaken to ensure that the air delivery system is in good order, and that it remains adequately supported and that the various joints are effectively sealed.

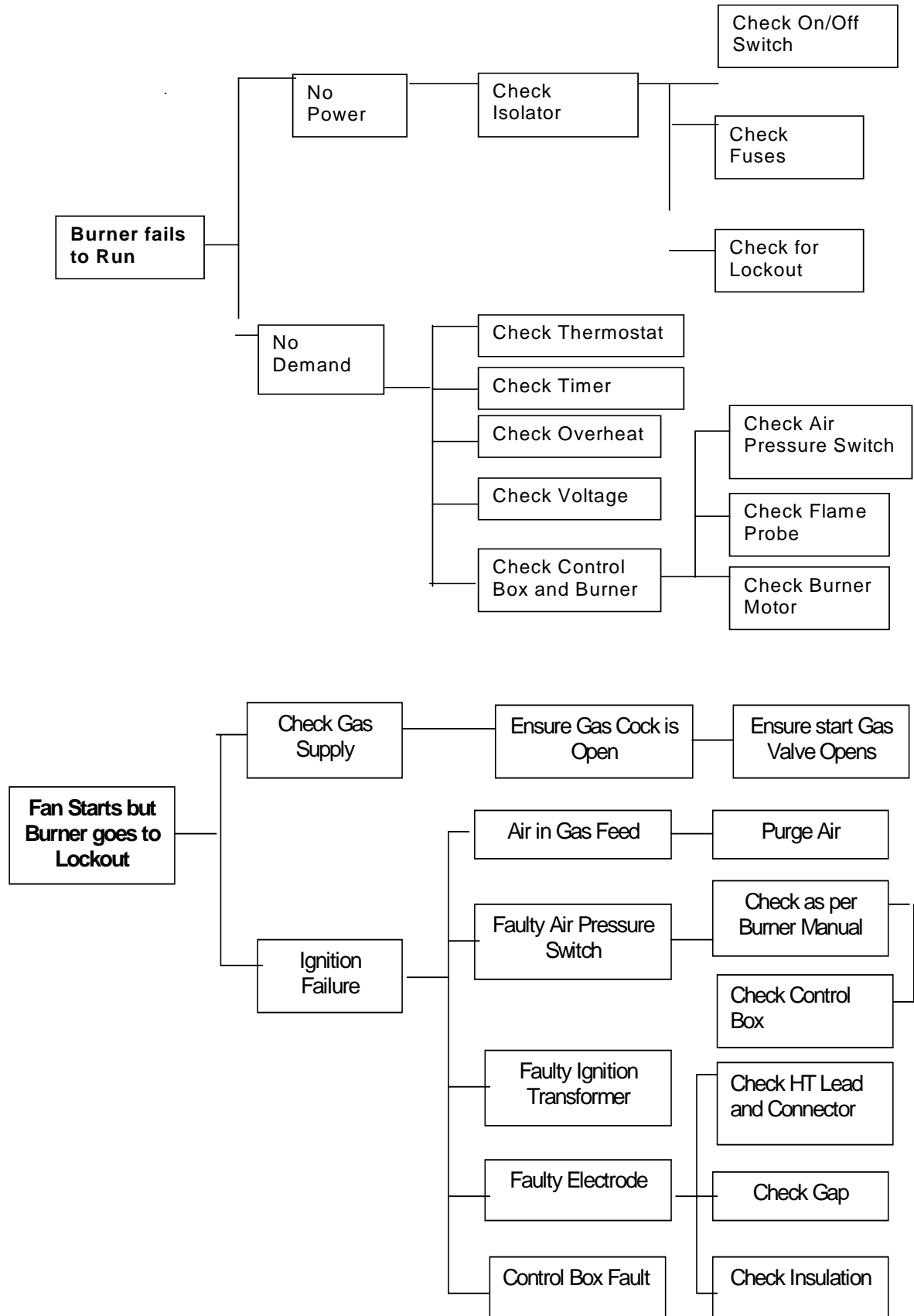
Report

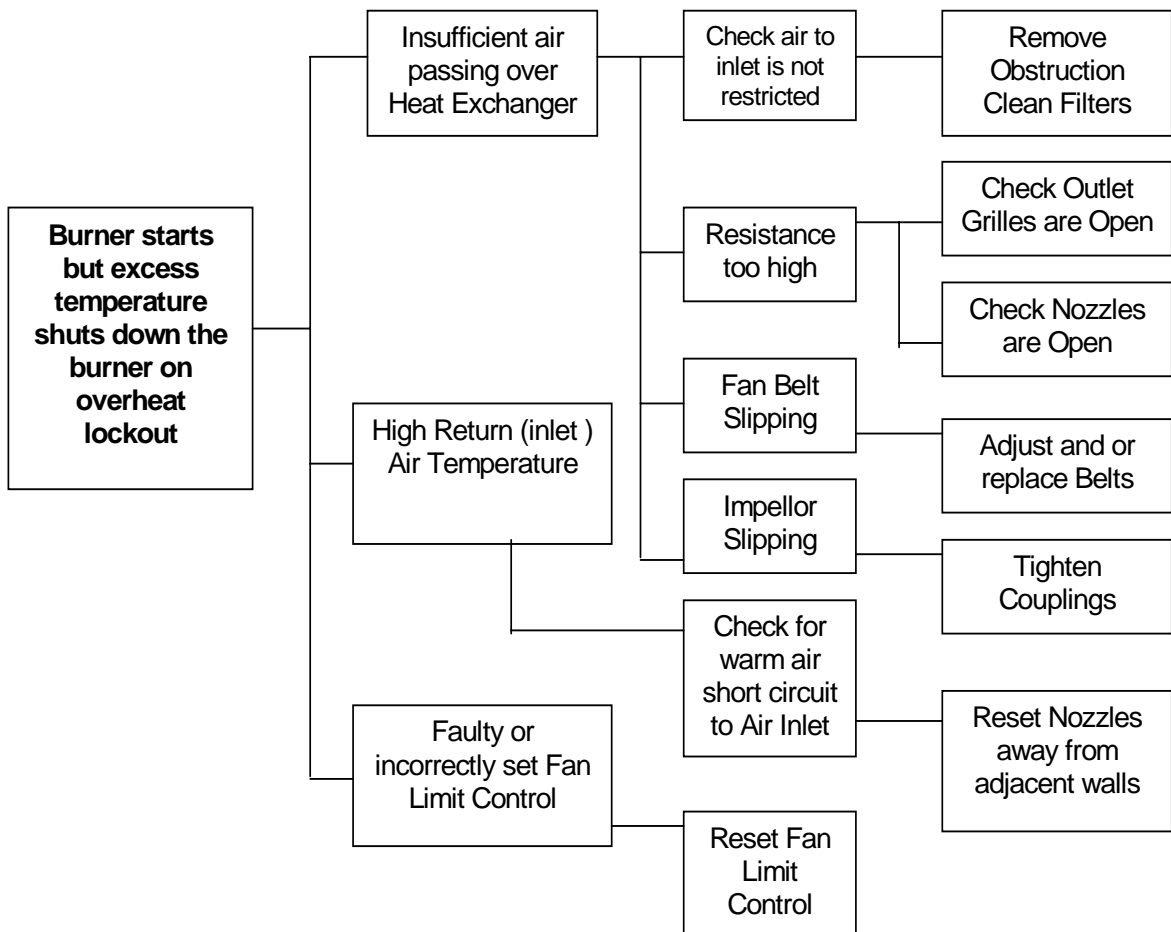
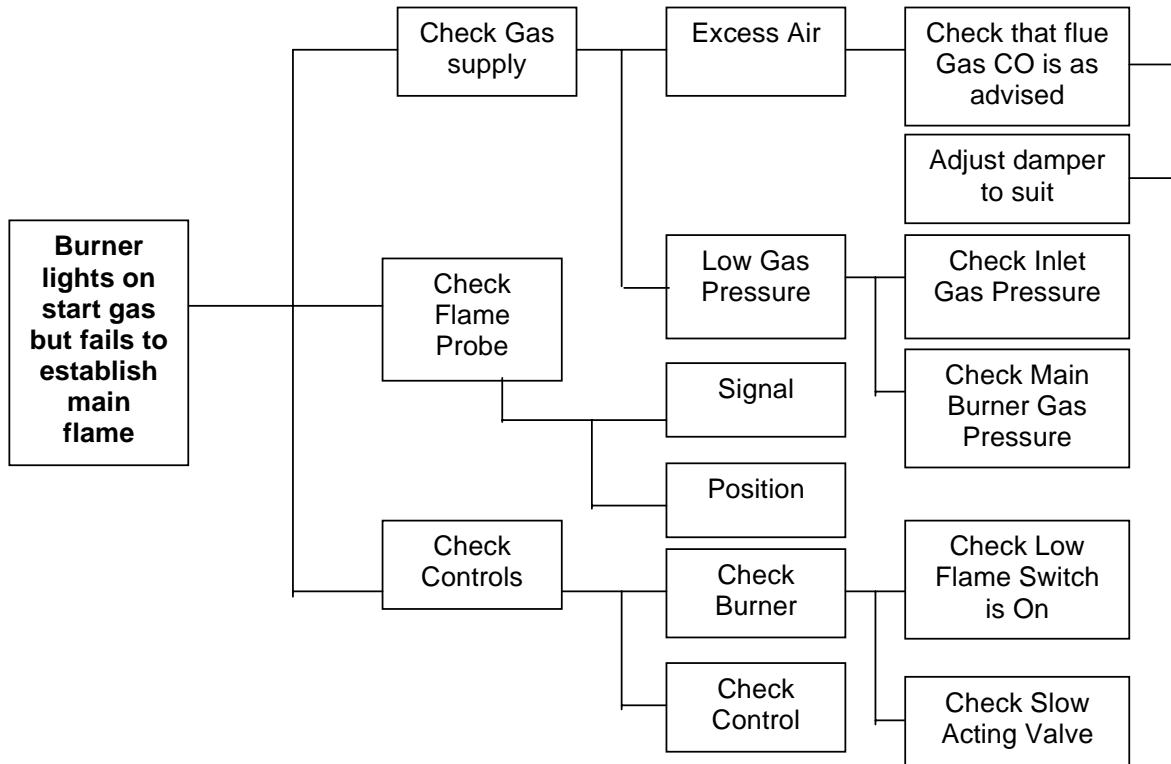
A full and detailed service report should be prepared, it is advised that the report is not completed until the heater has been re-commissioned, where upon the completed report can then be run through with the user.

5.3 Service Re-commissioning

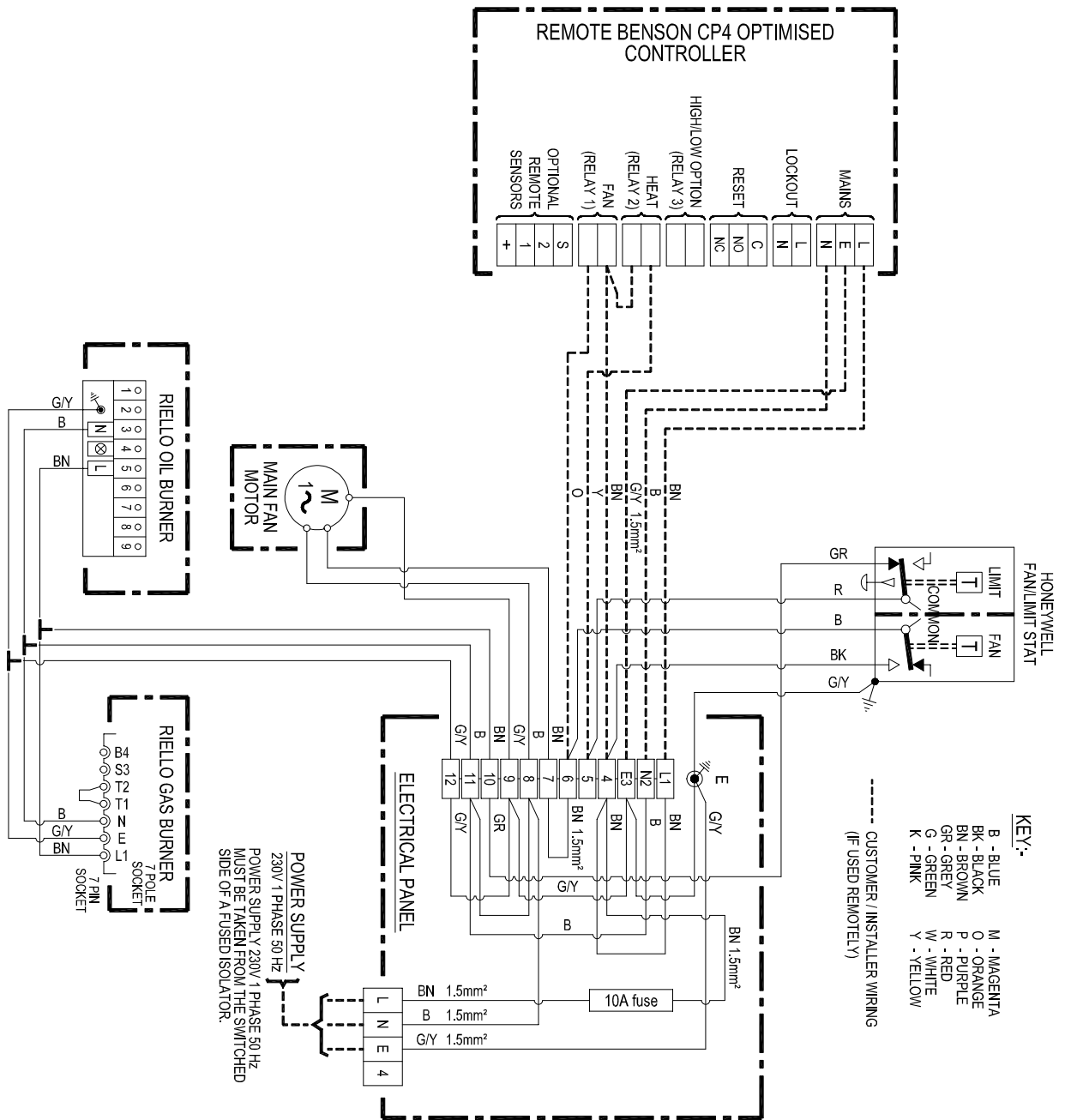
The heater should be re-commissioned as follows, as per section 4.1 through to section 4.4 inclusive.

This must be regarded as a necessary part of the heater service by the servicing engineer.



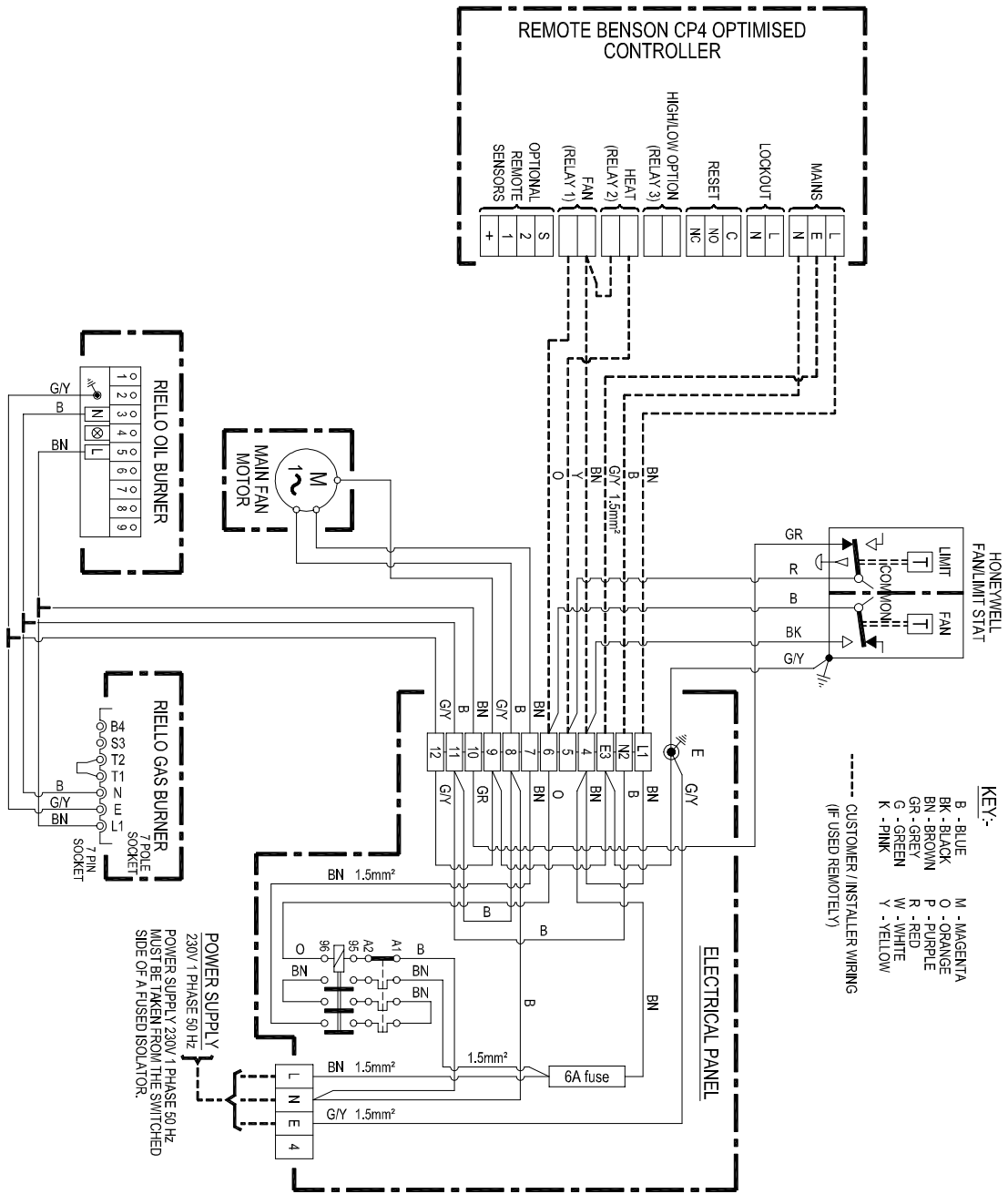


Drawing 20-45-311

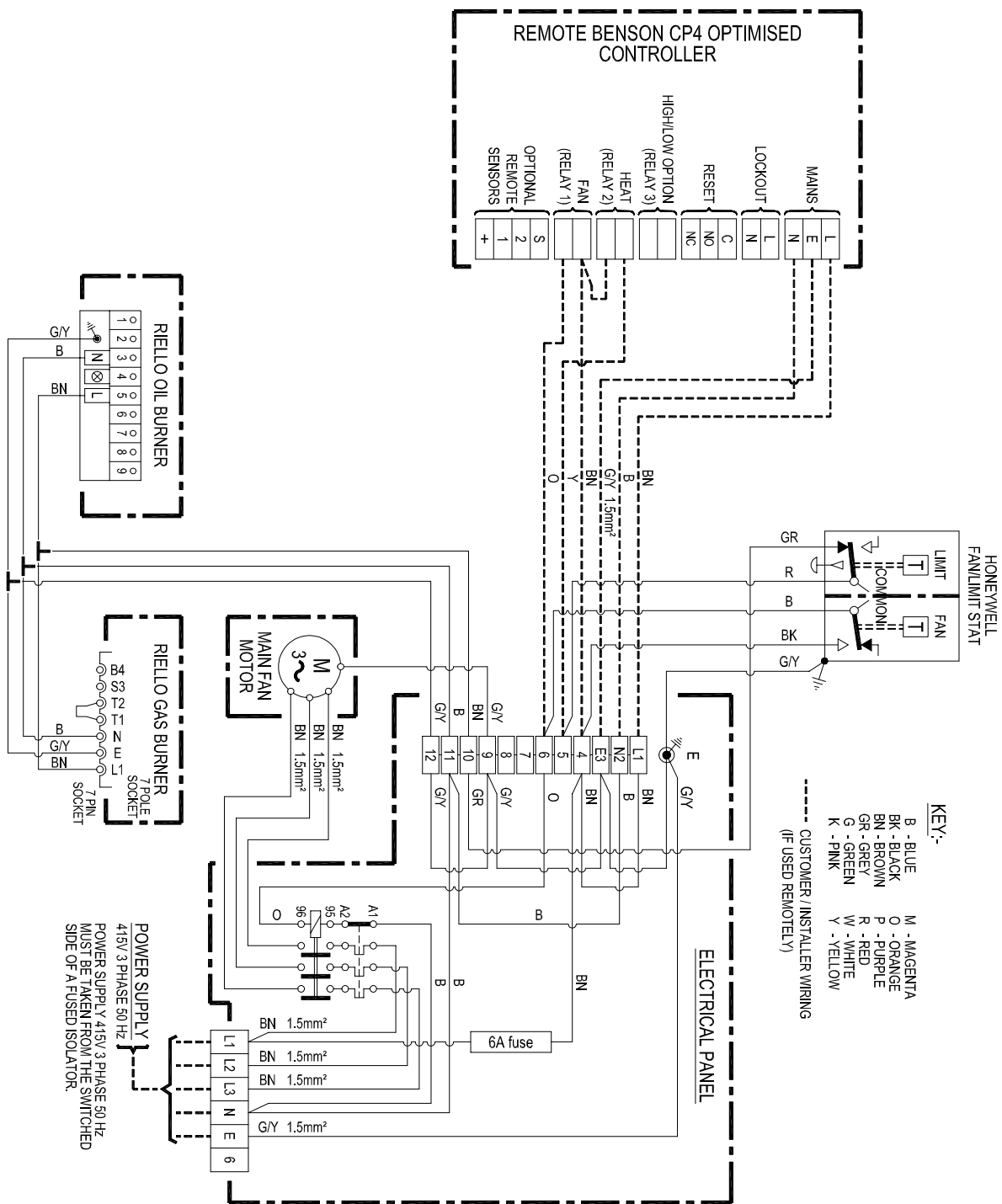


Riello ON / OFF Gas or Oil Fired Burner 230v/1ph/50Hz CP4 Control

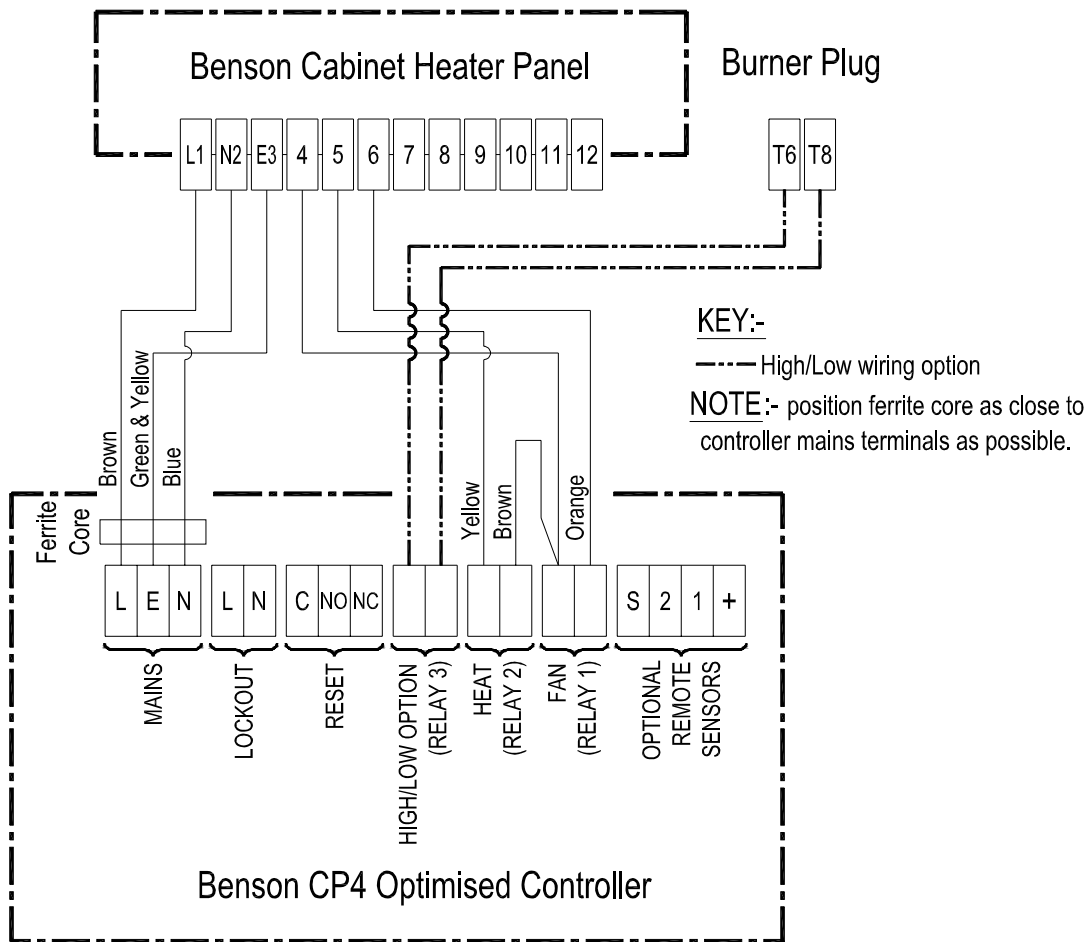
Drawing No 20-45-312



**Riello ON / OFF Gas or Oil Fired Burner
 230v/1ph/50Hz CP4 Control**



Riello ON/OFF Gas or Oil Fired Burner 415v/3ph/50Hz CP4 Control



8.0 Technical Data

Formulae for calculating efficiency are detailed as follows: where

q1 is the heat of the dry products of combustion (% of heat released per unit volume of gas)

q2 is the heat of the water vapour contained in the products of combustion (% of heat released per unit volume of gas)

c1 is the mean specific heat of the dry products of combustion (in MJ / m³ K)

t1 is the average combustion air temperature (in °C)

t2 is the average temperature of the products of combustion (in °C)

Hi is the net calorific value of the gas at 1013 mbar and 15⁰ C , dry (in MJ / m³)

Hs is the gross calorific value of the gas at 1013 mbar and 15⁰ C , dry (in MJ / m³)

Vf is the volume of dry products of combustion per unit volume of gas (in m³)

Vf is calculated from the volume of CO₂(V CO₂) produced by the combustion of 1m³ of gas (see table below), and from the CO₂ content of the products of combustion (V CO₂,M)

$$Vf = \frac{V CO_2}{V CO_2 M} \times 100$$

Ref. Gas	G110	G120	G20	G25	G30	G31
V CO2	0.26	0.32	1	0.86	4	3

The net efficiency E (net) (in %) is given by:
where

$$q1 = C1 \times Vf \frac{t2 - t1}{Hi} \times 100$$

$$E (net) = 100 - (q1 + q2)$$

and

$$q2 = 0.077 \frac{Hs - Hi}{Hi} (t2 - t1)$$

Note The required net efficiency must not be less than 84%

On heaters that are fitted with modulating or Hi / Lo burners the testing is carried out with the appliance adjusted to give the minimum rate, and the following formula is used.

$$E_{min} > E_n - \frac{10 (Q_n - Q_{min})}{Q_n} \text{ in } \%$$

Qn is the nominal heat input

Qmin is the minimum obtainable heat input

En is the net efficiency determined by the Notified Body

Note The minimum net efficiency for appliances fitted with modulating or Hi / Lo burners must not be less than 79%.

8.1 Technical Data Range

MODEL		120	220	370
HEAT OUTPUT	kW/hr Btu/hr	35.35 120,545	63.15 215,468	108.73 370,978
HEAT INPUT (GROSS)	KW/hr Btu/hr	43.05 146,900	76.73 261,800	131.71 449,394
GAS CONSUMPTION	M ³ /hr Ft ³ /hr	145.8	258	441
BURNER TYPE	RIELLO	GS5	GS10	GS20
BURNER GAS PRESSURE (zero resistance cover fitted)	Mbar	2.7	4.1	3.1
MINIMUM GAS INLET PRESSURE	Mbar Ins WG	17.5 7	17.5 7	17.5 7
HEAD SETTING (zero flue resistance)	Number		1.5	
AIR SHUTTER SET (zero flue resistance)	Number		3	
GAS CONNECTION		RC½	RC½	RC¾
AVAILABLE OUTLET PRESSURE	Pascals Ins WG	100 0.4	100 0.4	150 0.6
NOZZLE DISCHARGE VELOCITY	M/sec Ft/min	4.53 888	5.91 1159	6.98 1369
AIR THROW (APPROX)	Mtrs Ft	14 45	17.1 55	20.2 65
AIR DELIVERY	M ³ /sec Ft ³ /min	0.71 1500	1.39 2950	2.65 5620
TEMPERATURE RISE THROUGH HEATER	Deg C Deg F	50.3 122	49.8 122	44.5 112
EFFICIENCY NET	%	91.18	91.38	91.68
SOUND LEVEL	DbA	69	72	76
COMBUSTION CHAMBER (press)	Mbar	0.21	0.34	0.88
FLUE RESISTANCE	Min Mbar Max Mbar	-0.2 0.6	-0.2 0.6	-0.2 0.6
FLUE DIAMETER	Mm	125	175	175
ELECTRICAL SUPPLY	Standard	230/1/50	230/1/50	415/3/50
RATED INPUT	KW	0.55	0.99	2.2
FUSED ISOLATOR SIZE	Amps	16	20	16
RUNNING CURRENT	Amps	4.8	7.2	5.2
ELECTRICAL SUPPLY	Optional	N/A	415/3/50	230/1/50
RATED INPUT	KW	N/A	0.99	2.2
FUSED ISOLATOR SIZE	Amps	N/A	16	40
RUNNING CURRENT	Amps	N/A	2.2	14
WEIGHT	Kg	196	243	332
AIR NOZZLE SIZE	Ins	9.4	9.4	11
NOZZLE AMOUNT	No	2	3	4
FLUE TEMPERATURE (GROSS)	@ 20°C Ambient	209	200	194

Technical Data Range

MODEL		560	770	1020
HEAT OUTPUT	KW/hr Btu/hr	163.39 557,486	225.60 769,747	300.21 1,024,317
HEAT INPUT (GROSS)	KW/hr Btu/hr	196.80 671,480	274.91 938.000	366.01 1,248,826
GAS CONSUMPTION	M ³ /hr Ft ³ /hr	662	927	1230
BURNER TYPE	RIELLO	GS20	RS28.1	RS38.1
BURNER GAS PRESSURE (zero resistance cover fitted)	Mbar	5.8	8.2	5.7
MINIMUM GAS INLET PRESSURE	Mbar Ins WG	17.5 7	17.5 7	17.5 7
HEAD SETTING (zero flue resistance)	Number	3.5	5	4
AIR SHUTTER SET (zero flue resistance)	Number	6.5	3.5	4
GAS CONNECTION		RC1¼	RC1¼	RC2
AVAILABLE OUTLET PRESSURE (STD)	Pascals Ins WG	188 0.75	175 0.7	250 1
NOZZLE DISCHARGE VELOCITY	M/sec Ft/min	6.71 1315	7.39 1445	8.49 1665
AIR THROW (APPROX)	Mtrs Ft	21.7 70	24.8 80	31.1 100
AIR DELIVERY(STD)	M ³ /sec Ft ³ /min	3.4 7200	4.86 10,300	6.88 14,680
TEMPERATURE RISE THROUGH HEATER	Deg C Deg F	49.2 120	48 118	45 113
EFFICIENCY NET	%	92.2	91.13	91.09
SOUND LEVEL	DbA	78	81	81
COMBUSTION CHAMBER (press)	Mbar	0.62	0.92	0.9
FLUE RESISTANCE	Min Mbar Max Mbar	-0.4 1.6	-0.4 1.6	-0.4 1.6
FLUE DIAMETER	Mm	200	225	250
ELECTRICAL SUPPLY	Standard	415/3/50	415/3/50	415/3/50
RATED INPUT	KW	3	5.5	7.5
FUSED ISOLATOR SIZE	Amps	25	32	64
RUNNING CURRENT	Amps	6.5	11	24
ELECTRICAL SUPPLY	Optional	N/A	646	1090
RATED INPUT	KW	N/A	14.6	18.5
FUSED ISOLATOR SIZE	Amps	N/A	4	4
RUNNING CURRENT	Amps	N/A	340	300
WEIGHT	Kg	540	330	332
AIR NOZZLE SIZE	Ins	12.6	11	11
NOZZLE AMOUNT	No	4	3	4
FLUE TEMPERATURE GROSS	@ 20 ⁰ C Ambient	175	207	206

9.0 Reference Information

Doc/Ref	Title/Subject
BS EN 1020 :1998	Non Domestic Gas Fired Forced Convection Air Heaters For Space Heating
BS EN 292 Parts 1 and 2; 1992	Safety of Machinery
BS EN 60204 Part 1; 1993	Safety of Machinery - Electrical
BS EN 60335 Part 1; 1988	Safety of Electrical Appliances
BS EN 55014 1993	Electromagnetic Compatibility
BS EN 50165 1995	Safety of Electrical Equipment
BS 5854 1980	Code of Practice - Flues/Flue Structures
BS 6891 1988	Installation of Pipework < 28mm
BS 5991 1989	Indirect Gas Fired Heaters < 2 MW
BS 715 1993	Metal Flue Pipes and Fittings
BS 5440 Part 1 ; 1990	Specification/Installation of Flues
BS 5440 Part 2 ; 1989	Ventilation Requirements Gas Appliances
ISO 7/1 (see also BS21)	Specification for Metric Pipe Threads
ISO 228/1 See also BS 2779 and BS 5380)	Pipe Threads Seals and Couplings
UP/1 (Replaces IM/5 & IM/16)	Installation of Gas Appliances
UP/2 (Replaces IM/7)	Installation of Gas Appliances

Parts list

DESCRIPTION	120	220
Heat Exchanger Assy	31-28-128	20-45-154
Stackbox Assy	31-28-078	31-27-123
Front Lower Inlet Panel	31-28-075	20-45-144
Front Top Panel	31-28-126	20-45-143
Back Top Panel	31-28-083	20-45-137
Heatshield Front Panel	31-28-124	20-45-140
Heatshield Back Panel	31-28-123	20-45-141
Flue Box Cover Assy	31-28-115	20-45-094
Rear Lower Inlet Panel	31-20-107	20-45-139
Fan/Limit Thermostat	28-60-023	28-60-021
Fan/ limit Stat Gasket	20-33-549	20-33-549
Burner Plate Gasket	31-28-080	30—40-156
Pressure Relief Gasket	31-27-121	31-27-121
Sight Glass	20-30-151	20-30-151
Sight Glass Holder	20-30-061	20-30-061
Sight Glass Gasket	31-28-084	31-24-084
Fuse 1ph	28-07-049	28-07-049
Nozzle Outlet Assy	31-30-167(2)	
Tray Spigot Assy	31-30-176	
Motorised Fan 1ph	28-09-049	28-09-002
Fan Restrictor	N/A	
Burner c/w Gas Train	29-99-445	29-99-446
Control panel CP4		

DESCRIPTION	370	560
Heat Exchanger Assy	20-46-283	20-46-355
Stackbox Assy	31-27-123	20-46-307
Front Lower Inlet Panel	20-46-311	20-46-327
Front Top Panel	20-46-312	20-46-332
Back Top Panel	20-46-289	20-46-338
Heatshield Front Panel	20-46-291	20-46-336
Heatshield Back Panel	20-46-290	20-46-335
Flue Box Cover Assy	20-45-094	20-46-310
Rear Lower Inlet Panel	20-46-315	20-46-326
Overload	28-11-056	28-11-055
Contactora	28-11-057	21-11-057
Fan/Limit Thermostat	28-60-021	28-60-021
Fan/ limit Stat Gasket	20-33-549	20-33-549
Burner Plate Gasket	31-27-121	31-29-046
Pressure Relief Gasket	31-27-121	20-46-354
Sight Glass	20-30-151	20-30-151
Sight Glass Holder	20-30-061	20-30-061
Sight Glass Gasket	31-28-084	31-28-084
Fuse 1ph	N/A	N/A
Fuse 3ph	28-07-048	28-07-048
Nozzle Outlet Assy	31-30-159(4)	31-30-157(4)
Motorised Fan 1ph	N/A	N/A
Fan	28-09-003	28-09-004
Fan Pulley	28-65-096	28-65-105
Motor	28-10-015	28-10-120
Motor Pulley	28-65-063	28-65-072
Belt	09-16-110(2)	09-06-126(2)
Burner	29-99-448	29-99-450
Air Head	N/A	30-10-145

DESCRIPTION	770	DESCRIPTION	1020
Heat Exchanger Assy	20-47-405	Rear Panel	20-27-013
Stackbox Assy	20-47-425	Top Rear Heat Shield	20-27-011
Front Lower Inlet Panel	20-47-021	Bottom Rear Heat Shield	20-27-010
Front Top Panel	20-47-426	Heat Exchanger Assy	20-27-946
Back Top Panel	20-47-429	Gas Exit Duct Assy V	20-27-090
Heatshield Front Panel	20-47-430	Gas Exit Duct Assy H	20-27-092
Heatshield Back Panel	20-47-431	Outlet Assy (Nozzled) V	20-27-094
Flue Box Cover Assy	20-46-310	Outlet Assy (Nozzled) H	20-27-148
Rear Lower Inlet Panel	20-47-022	Outlet Assy (Ducted)	20-27-028
Side Lower Inlet Panel	20-47-039	Nozzle Outlet Assy (4) V	20-27-034
Overload	28-11-111		
Contactora	28-11-057		
Fan/Limit Thermostat	28-60-023		
Fan/ limit Stat Gasket	20-33-549	Fan Drive Assy (Nozzled)	20-27-526
Burner Plate Gasket	31-29-046	Fan Drive Assy (Ducted)	20-27-527
Pressure Relief Gasket	20-46-354	Motor (Nozzled)	28-10-024
Sight Glass	20-30-151	Motor (Ducted)	28-10-025
Sight Glass Holder	20-30-061	Drive Pulley (Nozzled)	28-65-047
Sight Glass Gasket	31-28-084	Drive Pulley (Ducted)	28-65-053
Fuse Holder	28-07-050	Driven Pulley (Nozzled)	28-65-049
Fuse 3ph	28-07-048	Driven Pulley (Ducted)	28-65-054
Nozzle Outlet Assy	20-47-402	Taper lock Drive (Nozzled)	28-66-013
Tray Spigot Assy	20-47-403	Taper lock Drive (Ducted)	28-66-042
Fan	28-09-043	Taper lock Driven (Nozzled)	28-66-013
Fan Pulley	28-65-043	Taper lock Driven (Ducted)	28-66-019
Fan Taper lock	28-66-136	V Belt (3)	09-16-126
Motor	28-65-043	Burner c/w Gas Train	29-99-476
Motor Pulley	28-65-042	Air Head	30-10-146
Motor Taper lock	28-66-028		
V Belt (3)	09-16-112		
Burner c/w Gas Train	29-99-450		
Air Head	30-10-145		

SECTION 2

BASIC USER INSTRUCTIONS

10.0 Introduction

The following information is relevant to the Gas fired Cabinet Heater range manufactured by Benson Heating. These heaters are manufactured within a strictly controlled quality system to ISO 9001.

All Benson Heating gas fired Cabinet Heaters are CE marked, having been found to satisfy the essential requirements of the following European Directives.
Machinery Directive (89/392/EEC)
Low Voltage Directive (73/23/EEC & 93/68/EEC)
Electromagnetic Compatibility Directive (89/336/EEC & 91/31/EEC)
Product Liability Directive (65/374/EEC)

Benson Heating support all new products being supplied to their customers with a comprehensive information pack, and it is the responsibility of the owner, user, or hirer, of such products supplied by Benson Heating to ensure that operators are provided with the operator manual, and that they are suitably instructed regarding the purpose of the manual and safety instructions. In addition to this, operators must also be suitably and adequately trained in the use of the product.

Contained within the text of this manual, the words '**Caution**' and '**Warning**' are used to highlight certain points.

Caution is used when failure to follow or implement the instruction(s) can lead to a premature failure or damage being occasioned to the heater or its component parts.

Warning is used when failure to heed or implement the instruction(s) can lead not only to component damage, but can also lead to a hazardous situation being created where there is a risk of personal injury or death

10.1 Commissioning and hand over

Warning

As part of the commissioning programme, the commissioning engineer must go through the following with the operator.

- (i) Lighting, shutdown, and operational information.
- (ii) Safety features, data plate, and labeling.
- (iii) The requirement for regular inspection - especially if the heater is within a more demanding environment - and the need for regular servicing, carried out by competent and qualified engineers.

Caution

After approximately 100 hours of running, the tension on the fan belts must be checked to ensure that it is correct, and that the belts have not stretched.

It is strongly advised that this is undertaken by the commissioning engineer, and not the operator

10.2 Servicing

Warning

Servicing must be carried out on a regular basis, the maximum interval between services being one year.

It is a requirement that only suitably qualified and competent persons are allowed to undertake the servicing.

Benson Heating advise that the planned service schedule as detailed in section 5.1 of the Installation, Commissioning and Servicing Manual is adopted by the user.

Further details are available from either Benson Heating or from the commissioning engineer.

10.3 Start up procedure CP4 OPTION

- (a) Ensure that the gas cocks are open, and that the mains electrical supply is turned on
- (b) Ensure that the CP4 has been correctly programmed
- (c) Ensure programme is displaying Heat On setting

ANALOGUE OPTION

- (d) Ensure On Standby switch ON
- (e) Ensure heat vent switch is set for 'heat'
- (f) Check for the following burner sequence

interval	o p e r a n d
----------	---------------

- | | | |
|---|------|--|
| 1 | <5s | Combustion air damper actuated fan motor initiates purge cycle... |
| 2 | <40s | Pilot valve opens ignition transformer provides spark for Pilot ignition and flame detection |
| 3 | <40s | Pilot ignition and Burner ignition |
| 4 | <60s | Burner ignition start cycle complete |

Note

The time intervals within the ignition sequence may vary slightly between models.

- (f) The burner will continue to fire until heat is no longer demanded.

10.4 Stop procedure CP4 OPTION

- (a) Select standby , option 2 standby
- (b) The fan motor will continue to run until heat dissipation allows the fan and limit stat to shut down the fan.

Stop procedure Analogue OPTION

- a) Set switch to standby' position.
- (b) The fan motor will continue to run until heat dissipation allows the fan and limit stat to shut down the fan.

Caution

Do not use the main electrical isolator to turn off the heater, to do so can cause damage to the heat exchanger and combustion chamber and thereby invalidate the warranty.

10.5 Shut down procedure

- (a) Follow steps 10.4 (a) and (b), when fan stops turn main electrical isolator off, and shut gas cocks

10.6 Ventilation only

CP4 OPTION

- (a) Select FAN /Enter to confirm
- #### **ANALOGUE OPTION**
- (b) Set heat/ventilate switch to 'ventilate'.

10.7 Lockout situations

If either the burner or the fan and limit stat go to lockout, the lockout must be cleared manually before the ignition sequence can be re-initiated.

Caution

Repeated or frequent lockouts must be investigated and their cause determined by a qualified and competent engineer.

10.8 Contact information

Further information is available from :-

Benson Heating
Ludlow Road
Knighton
Powys
LD7 1LP

Telephone 01547 528534
Facsimile 01547 520399

**Benson Heating is a Division of
Benson Climate Systems Ltd**